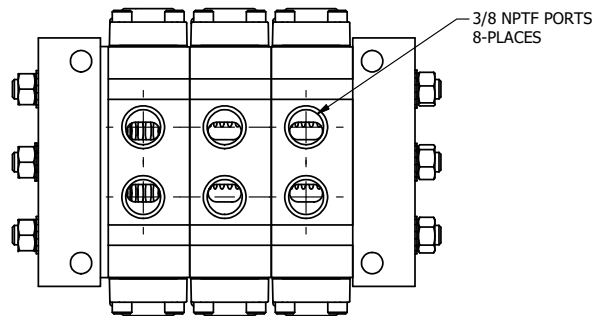
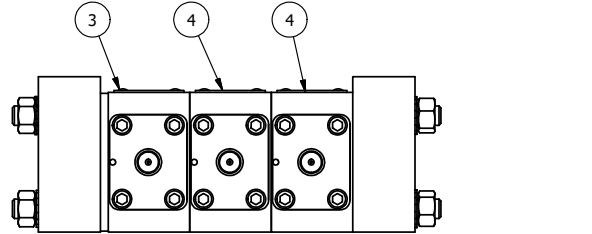


- NOTES:  
 1) ALWAYS GIVE VALVE MODEL AND PART NUMBER WHEN ORDERING PARTS.  
 2) CUT TIE RODS TO 6 29/32.

THE FOLLOWING PARTS ARE INCLUDED WITH INDIVIDUAL VALVES, SECTIONS OR PLATES AND ARE USED TO ASSEMBLE.		
QTY	PART NO	DESCRIPTION
15	V-110	O-RING, BUNA-N, 70 DURO, AS-114, (REF 5/8 X 13/16 X 3/32), 1/4" SLEEVE, 1/2" SUB, STACK

5	1	TRK-18	TIE ROD KIT - 18" LONG WITH HARDWARE, (CUT TO LENGTH), B-SERIES STACK VALVE
4	2	BRR3-9	3/8" STACK, DBL PILOT, 2 POS, FRICTION POS, PILOT RTRN, BUNA-N O-RINGS
3	1	BRY3-9	3/8" STACK, DBL PILOT, 3 POS, SPR CTR, PILOT SHFT, CLSD CTR SPL, BUNA-N O-RINGS
2	1	BOS-4	SPACER - O-RING DIVIDER, 1/4" & 3/8" STACKING VALVE
1	2	PEP-4	PLATE, PORTED END, 1/2" NPTF, 1/4" & 3/8" STACK VALVE
FLG	QTY	PART NO	DESCRIPTION



LIMITS ON DIMENSIONS UNLESS OTHERWISE SPECIFIED	2-PL DECIMAL ± .01 3-PL DECIMAL ± .005 FRACTIONAL ± 1/64 ANGULAR ± 1/2°	<b>AAA PRODUCTS INTERNATIONAL</b> 7114 Harry Hines Blvd Dallas, TX 75235	
DRAWN: RMckenna	DATE: 3/24/2021		CHECKED: KWaite
SCALE: 1 / 2	SHEET: 1 OF 1	RELEASED: HWomack	DATE: 3/24/2021
TITLE: <b>ASSY - 1x BRY3-9, 2x BRR3-9, SNGL PORT, 3/8" STACK VALVE</b>		PART NO.: <b>846V</b>	REV.: <b>A</b>

NO.	DATE	REVISION
A	8/9/2021	REPLACED ONE BRY3-9 WITH ONE BRR3-9 PER CUSTOMERS REQUEST.