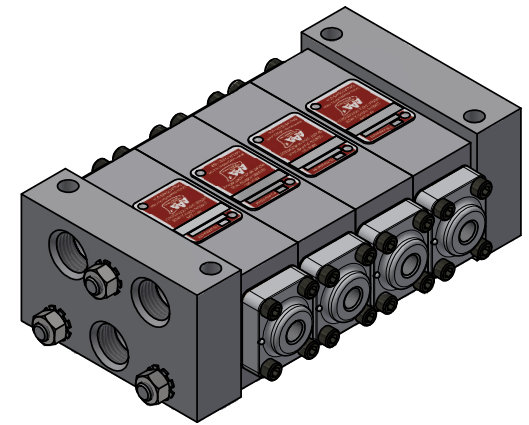
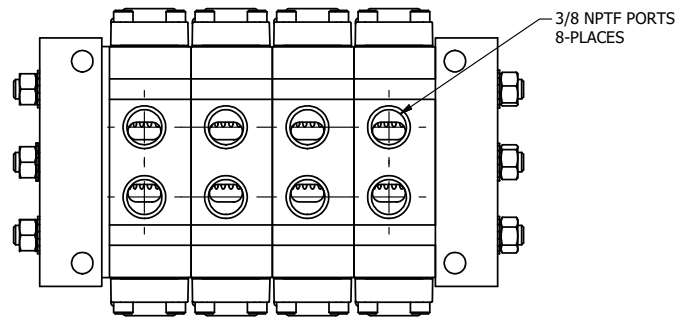
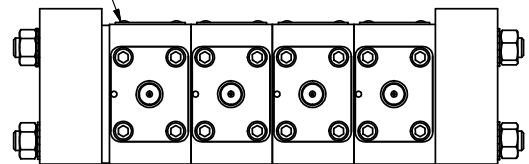


1/2 NPTF PORTS  
3-PLACES

MARK PORTED PLATE  
WITH STACK NUMBER  
USING 1/4" LETTERS  
(BOTH ENDS)



NOTES:  
1) ALWAYS GIVE VALVE MODEL AND PART NUMBER WHEN ORDERING PARTS.  
2) CUT TIE RODS TO 8 7/32.

THE FOLLOWING PARTS ARE INCLUDED WITH INDIVIDUAL VALVES, SECTIONS OR PLATES AND ARE USED TO ASSEMBLE.		
QTY	PART NO	DESCRIPTION
18	V-110	O-RING, BUNA-N, 70 DURO, AS-114, (REF 5/8 X 13/16 X 3/32), 1/4" SLEEVE, 1/2" SUB, STACK

5	1	TRK-18	TIE ROD KIT - 18" LONG WITH HARDWARE, (CUT TO LENGTH), B-SERIES STACK VALVE
3	4	BRR3-9	3/8" STACK, DBL PILOT, 2 POS, FRICTION POS, PILOT RTRN, BUNA-N O-RINGS
2	1	BOS-4	SPACER - O-RING DIVIDER, 1/4" & 3/8" STACKING VALVE
1	2	PEP-4	PLATE, PORTED END, 1/2" NPTF, 1/4" & 3/8" STACK VALVE
FLG	QTY	PART NO	DESCRIPTION

LIMITS ON DIMENSIONS UNLESS OTHERWISE SPECIFIED		2-PL DECIMAL ± .01 3-PL DECIMAL ± .005 FRACTIONAL ± 1/64 ANGULAR ± 1/2°	<b>AAA PRODUCTS INTERNATIONAL</b> 7114 Harry Hines Blvd Dallas, TX 75235
DRAWN: RMckenna	DATE: 3/24/2021	CHECKED: KWaite	
SCALE: 1 / 2	SHEET: 1 OF 1	RELEASED: HWomack	DATE: 3/24/2021
TITLE: <b>ASSY - 4x BRR3-9, SNGL PORT, 3/8" STACK VALVE</b>		PART NO.: <b>845V</b>	REV.:

THE INFORMATION CONTAINED WITHIN THIS DOCUMENT IS PROPRIETARY TO AAA PRODUCTS AND MAY NOT BE DISCLOSED WITHOUT PRIOR WRITTEN CONSENT

P:\Engineering\Products\Valves\Assembly\Stack\Drawings\845V.dwg