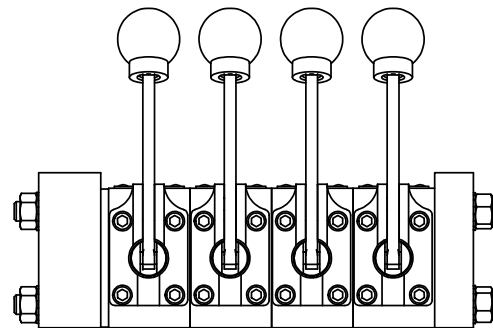


- NOTES:
 1) ALWAYS GIVE VALVE MODEL AND PART NUMBER WHEN ORDERING PARTS.
 2) CUT TIE RODS TO 7 27/32.

THE FOLLOWING PARTS ARE INCLUDED WITH INDIVIDUAL VALVES, SECTIONS OR PLATES AND ARE USED TO ASSEMBLE.

QTY	PART NO	DESCRIPTION
18	V-110	O-RING, BUNA-N, 70 DURO, AS-114, (REF 5/8 X 13/16 X 3/32), 1/4" SLEEVE, 1/2" SUB, STACK

5	1	TRK-18	TIE ROD KIT - 18" LONG WITH HARDWARE, (CUT TO LENGTH), B-SERIES STACK VALVE
4	1	BEP-4	PLATE, BLIND END, 1/4" & 3/8" STACK VALVE
3	4	BHE3	3/8" STACK, LEVER, 2 POS, FRICTION POS, LEVER RTRN
2	1	BOS-4	SPACER - O-RING DIVIDER, 1/4" & 3/8" STACKING VALVE
1	1	PEP-4	PLATE, PORTED END, 1/2" NPTF, 1/4" & 3/8" STACK VALVE
FLG	QTY	PART NO	DESCRIPTION



LIMITS ON DIMENSIONS
 UNLESS OTHERWISE SPECIFIED
 2-PL DECIMAL ± .01
 3-PL DECIMAL ± .005
 FRACTIONAL ± 1/64
 ANGULAR ± 1/2°



DRAWN: RMckenna DATE: 1/7/2020 CHECKED: KWaite DATE: 1/7/2020
 SCALE: 1 / 2 SHEET: 1 OF 1 RELEASED: HWomack DATE: 1/7/2020

TITLE: ASSY - 4x BHE3, SNGL PORT, 3/8" STACK VALVE
 PART NO.: 837V
 REV.: