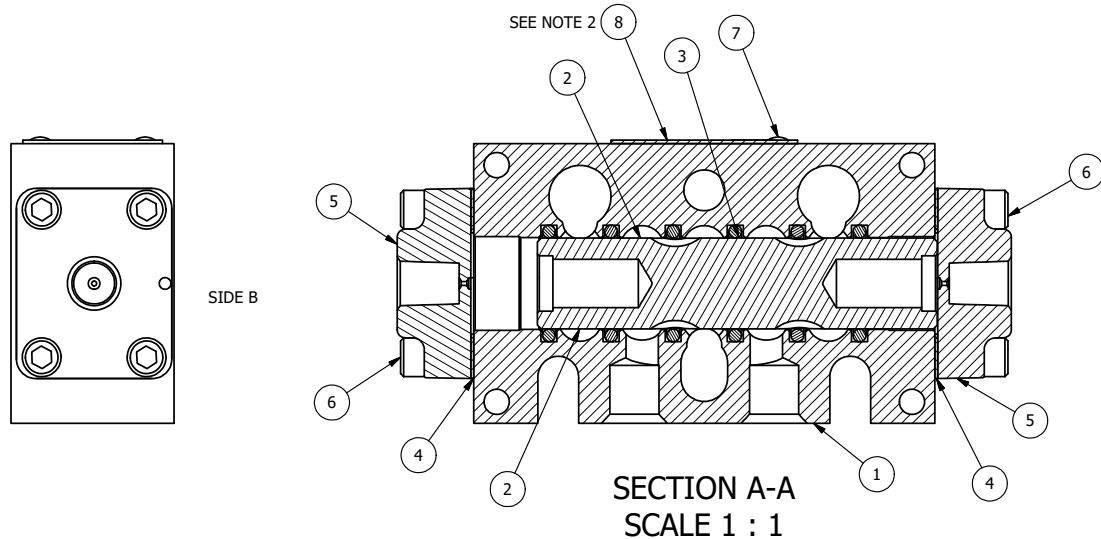


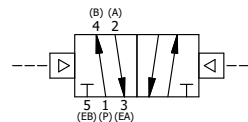
POSITION GASKET ON END OF VALVE TO SEAL PILOT HOLE IF PRESENT, BOTH SIDES (SIDE 'B' SHOWN)



NOTES:
1) ALWAYS GIVE VALVE MODEL AND PART NUMBER WHEN ORDERING PARTS.
2) DATE STAMP NAME TAG INSTEAD OF BODY.

FLG	QTY	PART NO	DESCRIPTION
9	3	V-110	O-RING, BUNA-N, 70 DURO, AS-114, (REF 5/8 X 13/16 X 3/32), 1/4" SLEEVE, 1/2" SUB, STACK
8	1	AN-115	BLANK NAMEPLATE FOR HE,KE,KD,RR,D,CR,PP,SR,SS VALVES.
7	2	V-212	SCREW, 2 X 3/16, DRIVE, TYPE U, OVAL HEAD, 316 SS
6	8	V-38-SS	SCREW, 10-24 X 3/4, SOCKET HEAD CAP, 18-8 SS
5	2	PEC3-EN	END CAP, PILOT, 380 AL, E-NICKEL PLATED, 1/4" & 3/8" VALVE
4	2	ECG3	GASKET - END CAP, 1/4" & 3/8" VALVE
3	6	V-39	O-RING, STD BODY, VITON, 1/4" & 3/8" VALVES
2	1	S3R	SPOOL - SOLID, STANDARD, 2 POS, CLSD CTR, 1/4" & 3/8" VALVE
1	1	B2-10E-AN	BODY - SOLID, PLAIN, UPPER PILOTS, ANODIZED, 1/4" STACKING VALVE

LIMITS ON DIMENSIONS UNLESS OTHERWISE SPECIFIED		2-PL DECIMAL ± .01 3-PL DECIMAL ± .005 FRACTIONAL ± 1/64 ANGULAR ± 1/2°		AAA PRODUCTS INTERNATIONAL 7114 Harry Hines Blvd Dallas, TX 75235
DRAWN: RMckenna	DATE: 10/13/2017	CHECKED: KWaite	DATE: 10/13/2017	
SCALE: 1 : 1	SHEET: 1 OF 1	RELEASED: HWomack	DATE: 10/13/2017	
TITLE: 1/4" STACK, DBL PILOT, 2 POS, FRICTION POS, PILOT RTRN, ANDZD BODY, EN ENCAPS, SS HDWR			PART NO.:	REV.:
			804V	



THE INFORMATION CONTAINED WITHIN THIS DOCUMENT IS PROPRIETARY TO AAA PRODUCTS AND MAY NOT BE DISCLOSED WITHOUT PRIOR WRITTEN CONSENT

D:\Engineering\Inventory Files\Internal Drawings\Valves Assembly\Pilot Special\804V.dwg