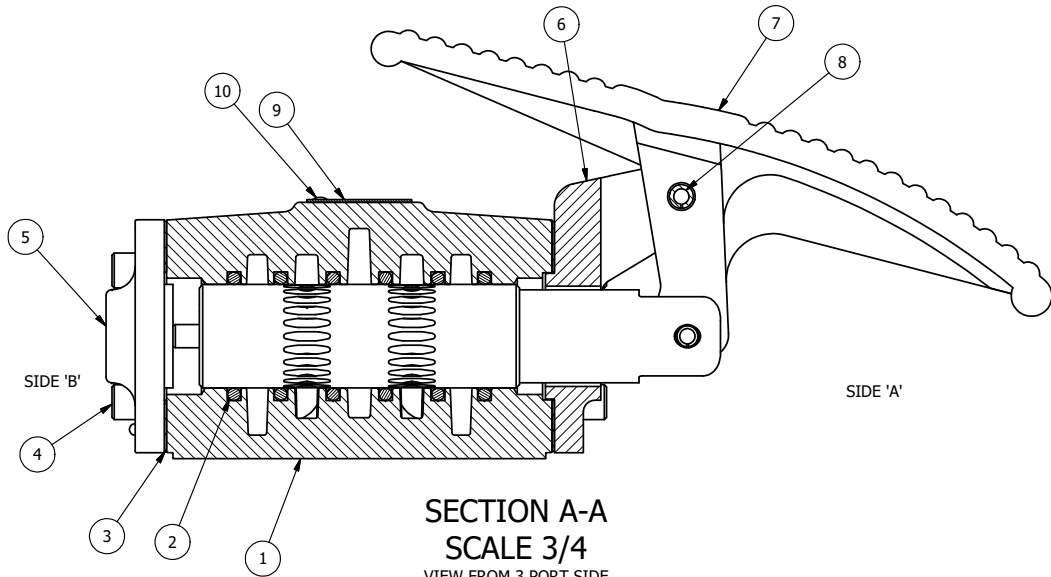


POSITION GASKET ON END OF VALVE SO
GASKET SEALS PILOT HOLE,
BOTH SIDES (SIDE 'A' SHOWN)

NOTES:

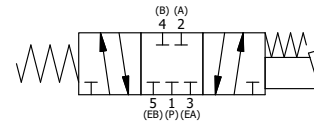
1) ALWAYS GIVE VALVE MODEL AND PART NUMBER WHEN ORDERING PARTS.



SECTION A-A
SCALE 3/4
VIEW FROM 3 PORT SIDE

FLG	QTY	PART NO	DESCRIPTION
10	2	V-212	SCREW, #2 X 3/16 DRIVE, TYPE U, OVAL HEAD, 316 STAINLESS STEEL
9	1	AN-114	NAME PLATE, BLANK, FOR VALVES WITH SPRINGS OR DETENTS.
8	1	V-70	PIN, ROLL 1/4 X 1 1/8 FOR 3/4 & 1" HAND AND FOOT VALVES
7	1	FT8	FOOT TREADLE, DUCTILE IRON, 3/4" & 1"
6	1	FE8	END CAP, HAND & FOOT, STEEL, NICKEL PLATE, 3/4" & 1" VALVES
5	1	AY-HY4-797VY	ASSY - SPR CTR, CLSD CTR SPL, LEVER OR TREADLE, NO DETENT, HVY DUTY, 1/2" VALVE
4	8	V-46	SCREW, 1/4-20 X 3/4 SHCS, HOLDS E.C TO 1/2-1" VALVES
3	2	ECG48	GASKET - END CAP, 1/2", 3/4" & 1" VALVE
2	6	V-6	O-RING, 1 1/8 X 1 3/8 X 1/8, BUNA-N, N100/70, 70D, ASS68A-216, 1/2" VALVES
1	1	B4-797VY	BODY, 1/2" SIDE PORT, UPPER PILOTS, ANODIZED, LG OVERBORE

LIMITS ON DIMENSIONS UNLESS OTHERWISE SPECIFIED		2-PL DECIMAL ± .01 3-PL DECIMAL ± .005 FRACTIONAL ± 1/64 ANGULAR ± 1/2°		AAA PRODUCTS INTERNATIONAL 7114 Harry Hines Blvd Dallas, TX 75235
DRAWN: RMckenna	DATE: 11/9/2016	CHECKED: KWaite	DATE: 11/9/2016	
SCALE: 3/4	SHEET: 1 OF 1	RELEASED: HWomack	DATE: 11/9/2016	
TITLE: 1/2" SIDE PORT, TREADLE, 3 POS, SPR CTR, TREADLE SHFT, CLSD CTR SPL, HVY DUTY			PART NO.: 797VY	REV.:



THE INFORMATION CONTAINED WITHIN THIS DOCUMENT IS PROPRIETARY TO AAA PRODUCTS AND MAY NOT BE DISCLOSED WITHOUT PRIOR WRITTEN CONSENT