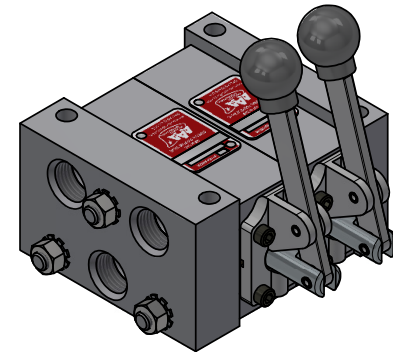
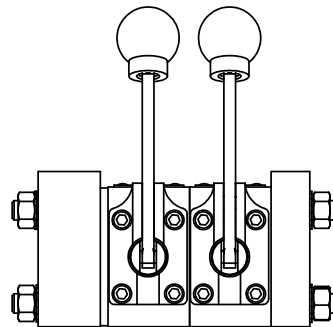
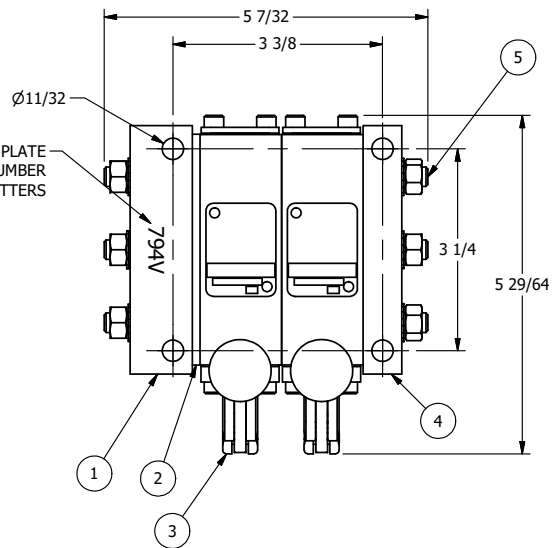


MARK PORTED PLATE
WITH STACK NUMBER
USING 1/4" LETTERS



NOTES:

- 1) ALWAYS GIVE VALVE MODEL AND PART NUMBER WHEN ORDERING PARTS.
- 2) CUT TIE RODS TO 5 7/32.

THE FOLLOWING PARTS ARE INCLUDED WITH INDIVIDUAL VALVES, SECTIONS OR PLATES AND ARE USED TO ASSEMBLE.

QTY	PART NO	DESCRIPTION
12	V-110	O-RING, BUNA-N, 70 DURO, AS-114, (REF 5/8 X 13/16 X 3/32), 1/4" SLEEVE, 1/2" SUB, STACK
5	1	TRK-18-SS TIE ROD KIT - 18" LONG WITH HARDWARE, (CUT TO LENGTH), B-SERIES STACK VALVE
4	1	BEP-4 PLATE, BLIND END, 1/4" & 3/8" STACK VALVE
3	2	BHO3 3/8" STACK, LEVER, 2 POS, SPRING RTRN
2	1	BOS-4 SPACER - O-RING DIVIDER, 1/4" & 3/8" STACKING VALVE
1	1	PEP-4 PLATE, PORTED END, 1/2" NPTF, 1/4" & 3/8" STACK VALVE
FLG	QTY	PART NO DESCRIPTION

LIMITS ON DIMENSIONS
UNLESS
OTHERWISE SPECIFIED

2-PL DECIMAL ± .01
3-PL DECIMAL ± .005
FRACTIONAL ± 1/64
ANGULAR ± 1/2°



DRAWN: RMckenna DATE: 8/18/2016

CHECKED: KWaite DATE: 8/18/2016

SCALE: 1 / 2 SHEET: 1 OF 1

RELEASED: HWomack DATE: 8/18/2016

TITLE:
ASSY - 2x BHO3, SNGL PORT,
3/8" STACK VALVE

PART NO.:
794V

D:\Engineering\Product\Valves\Assembly\Stack\Draws\794V.dwg