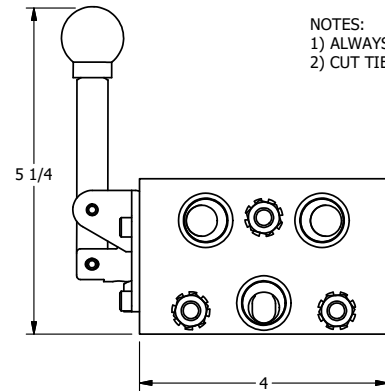
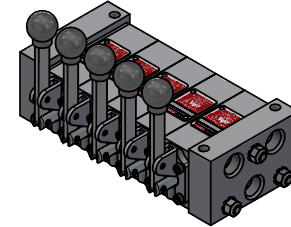
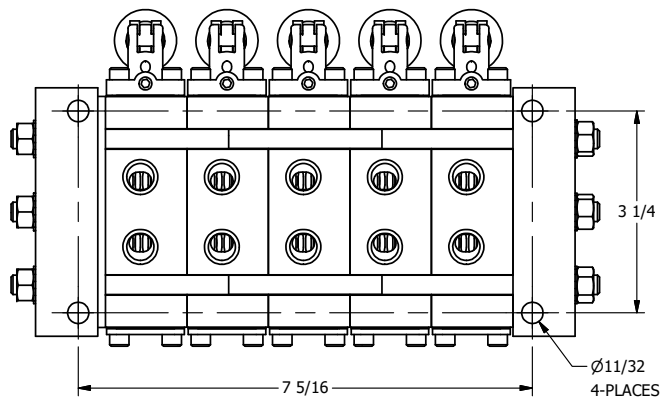
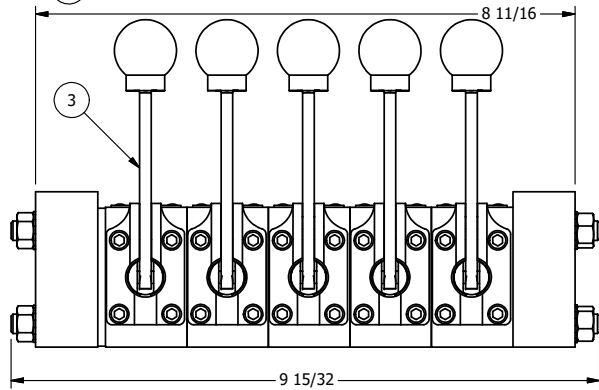
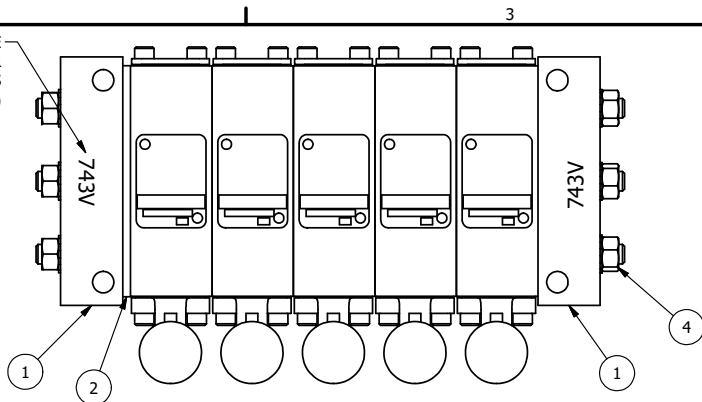


MARK PORTED PLATE WITH STACK NUMBER USING 1/4" LETTERS (BOTH ENDS)



NOTES:

- 1) ALWAYS GIVE VALVE MODEL AND PART NUMBER WHEN ORDERING PARTS.
- 2) CUT TIE RODS TO 9 17/32.

FLG	QTY	PART NO	DESCRIPTION
4	1	TRK-18	TIE ROD KIT - 18" LONG WITH HARDWARE, (CUT TO LENGTH), B-SERIES STACK VALVE
3	5	BHD2	1/4" STACK, LEVER, 3 POS, DETENT, CLSD CTR SPOOL
2	1	BOS-4	SPACER - O-RING DIVIDER, 1/4" & 3/8" STACKING VALVE
1	2	PEP-4	PLATE, PORTED END, 1/2" NPTF, 1/4" & 3/8" STACK VALVE

LIMITS ON DIMENSIONS  
UNLESS OTHERWISE SPECIFIED

2-PL DECIMAL ± .01  
3-PL DECIMAL ± .005  
FRACTIONAL ± 1/64  
ANGULAR ± 1/2°



**AAA PRODUCTS INTERNATIONAL**  
7114 Harry Hines Blvd  
Dallas, TX 75235

DRAWN: RMcKenna DATE: 7/22/2014  
SCALE: None SHEET: 1 OF 1

CHECKED: KWaite DATE: 7/22/2014  
RELEASED: HWomack DATE: 7/22/2014

TITLE: ASSEMBLY, BHD2 X5 STACK, PORTED BOTH ENDS, 1/4" B-SERIES STACK

PART NO.: 743V  
REV.:

THE INFORMATION CONTAINED WITHIN THIS DOCUMENT IS PROPRIETARY TO AAA PRODUCTS AND MAY NOT BE DISCLOSED WITHOUT PRIOR WRITTEN CONSENT

P:\Engineering\Products\Valves\Assembly\Stack\Draws\743V.dwg