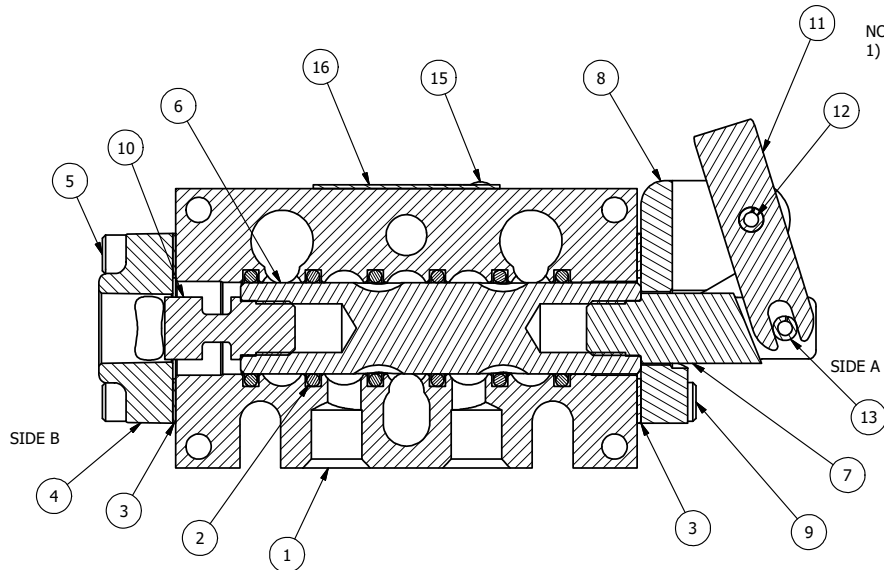


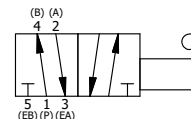
POSITION GASKET ON END OF VALVE TO SEAL PILOT HOLE IF PRESENT, BOTH SIDES (SIDE 'B' SHOWN)

NOTES:
1) ALWAYS GIVE VALVE MODEL AND PART NUMBER WHEN ORDERING PARTS.



| | | | |
|-----|-----|-----------|---|
| 16 | 1 | AN-115 | BLANK NAMEPLATE FOR HE,KE,KD,RR,D,CR,PP,SR,SS VALVES. |
| 15 | 2 | V-212 | SCREW, #2 X 3/16 DRIVE, TYPE U, OVAL HEAD, STAINLESS STEEL |
| 14 | 3 | V-110 | O-RING, BUNA-N, 70 DURO, AS-114, (REF 5/8 X 13/16 X 3/32), 1/4" SLEEVE, 1/2" SUB, STACK |
| 13 | 1 | V-48 | PIN, ROLL 3/16 X 9/16, STEEL, ZINC PLATED |
| 12 | 1 | V-542 | PIN, ROLL 3/16 X 1/2 ZINC PLATED STEEL FOR HE3-4 END CAP |
| 11 | 1 | HL3-24B15 | HAND LEVER WITH KNOB, BENT 15 DEG SIDEWAYS, 1/4" & 3/8" VALVES |
| 10 | 1 | PBS3-402V | STUD - REAR LOCKOUT, POS. A & C, STAINLESS, 1/4" & 3/8" VALVE |
| 9 | 4 | V-162 | SCREW, 10-24 X 5/8, SOCKET HEAD CAP |
| 8 | 1 | HE3-4 | ENDCAP - HAND OPERATOR, 303 STAINLESS, 1/4" & 3/8" STACK VALVE |
| 7 | 1 | BHC3 | CLEVIS - NO DETENTS, 1/4" & 3/8" STACKING VALVE |
| 6 | 1 | S3R | SPOOL - SOLID, STANDARD, 2 POS, CLSD CTR, 1/4" & 3/8" VALVE |
| 5 | 4 | V-38 | SCREW, 10-24 X 3/4, SOCKET HEAD CAP |
| 4 | 1 | PEC3-2LO | END CAP, PALM, LOCK OUT, 380 AL, 1/4" & 3/8" VALVE |
| 3 | 2 | ECG3 | GASKET - END CAP, 1/4" & 3/8" VALVE |
| 2 | 6 | V-39 | O-RING, STD BODY, VITON, 1/4" & 3/8" VALVES |
| 1 | 1 | B2-10E | FINISHED - SOLID BODY, UPPER PILOTS, 1/4" STACKING VALVE |
| FLG | QTY | PART NO | DESCRIPTION |

SECTION A-A
SCALE 1 : 1



| | | | | |
|---|-----------------|--|-----------------|--|
| LIMITS ON DIMENSIONS UNLESS OTHERWISE SPECIFIED | | 2-PL DECIMAL ± .01 3-PL DECIMAL ± .005 FRACTIONAL ± 1/64 ANGULAR ± 1/2° | | AAA PRODUCTS INTERNATIONAL 7114 Harry Hines Blvd Dallas, TX 75235 |
| DRAWN: RMcKenna | DATE: 5/14/2014 | CHECKED: KWhite | DATE: 5/14/2014 | |
| SCALE: 1 : 1 | SHEET: 1 OF 1 | RELEASED: HWomack | DATE: 5/14/2014 | |
| TITLE: 1/4" STACK, LEVER, 2 POS, FRICTION POS, REAR LCKOUT, BENT LEFT 15DEG | | PART NO.: 737V | REV.: | |

THE INFORMATION CONTAINED WITHIN THIS DOCUMENT IS PROPRIETARY TO AAA PRODUCTS AND MAY NOT BE DISCLOSED WITHOUT PRIOR WRITTEN CONSENT