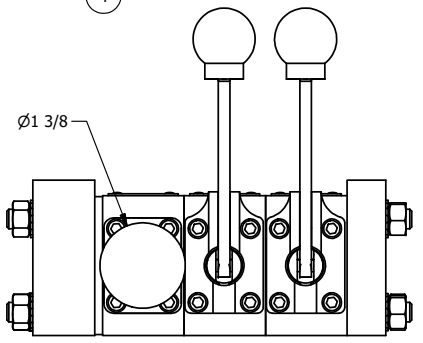
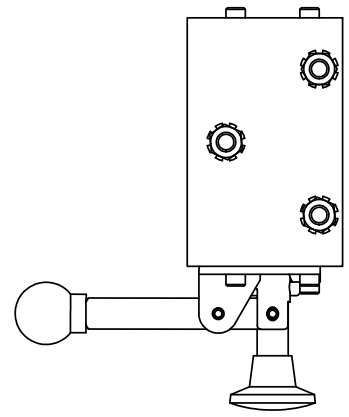
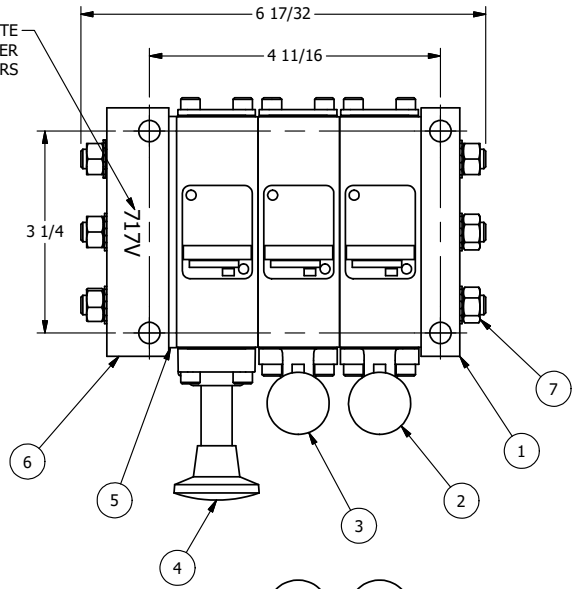


MARK PORTED PLATE WITH STACK NUMBER USING 1/4" LETTERS



NOTES:
 1) ALWAYS GIVE VALVE MODEL AND PART NUMBER WHEN ORDERING PARTS.
 2) CUT TIE RODS TO 6 17/32.

THE FOLLOWING PARTS ARE INCLUDED WITH INDIVIDUAL VALVES, SECTIONS OR PLATES AND ARE USED TO ASSEMBLE.

QTY	PART NO	DESCRIPTION
15	V-110	O-RING, BUNA-N, 70 DURO, AS-114, (REF 5/8 X 13/16 X 3/32), 1/4" SLEEVE, 1/2" SUB, STACK

FLG	QTY	PART NO	DESCRIPTION
7	1	TRK-18	TIE ROD KIT - 18" LONG WITH HARDWARE, (CUT TO LENGTH), B-SERIES STACK VALVE
6	1	PEP-4	PLATE, PORTED END, 1/2" NPTF, 1/4" & 3/8" STACK VALVE
5	1	BOS-4	SPACER - O-RING DIVIDER, 1/4" & 3/8" STACKING VALVE
4	1	BKE3	3/8" STACK, PALM, 2 POS, FRICTION POS, PALM RTRN
3	1	BHD3G	3/8" STACK, LEVER, 3 POS, DETENT, FLOAT CTR SPOOL
2	1	BHD3	3/8" STACK, LEVER, 3 POS, DETENT, CLSD CTR SPOOL
1	1	BEP-4	PLATE, BLIND END, 1/4" & 3/8" STACK VALVE

LIMITS ON DIMENSIONS
 UNLESS OTHERWISE SPECIFIED
 2-PL DECIMAL ± .01
 3-PL DECIMAL ± .005
 FRACTIONAL ± 1/64
 ANGULAR ± 1/2°



DRAWN: RMckenna DATE: 11/7/2013 CHECKED: KWaite DATE: 11/7/2013
 SCALE: 1 / 2 SHEET: 1 OF 1 RELEASED: HWomack DATE: 11/7/2013

TITLE: BEP-4, BHD3, BHD3G, BKE3, BOS-4, PEP-4, 3/8" STACK VALVE	PART NO.: 717V	REV.:
--	-------------------	-------

THE INFORMATION CONTAINED WITHIN THIS DOCUMENT IS PROPRIETARY TO AAA PRODUCTS AND MAY NOT BE DISCLOSED WITHOUT PRIOR WRITTEN CONSENT

D:\Engineering\product\Valves\Assembly\Stack\Draws\717V.dwg