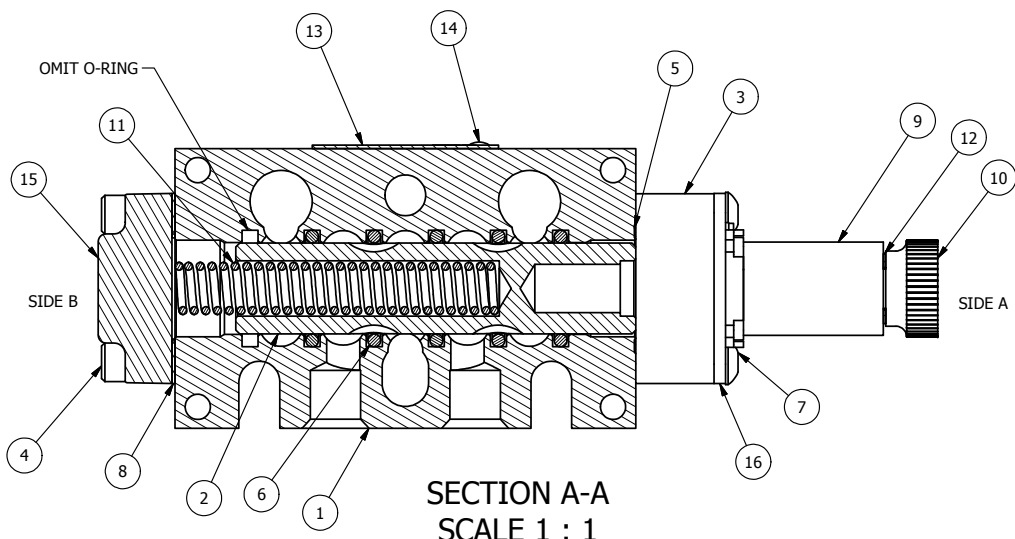
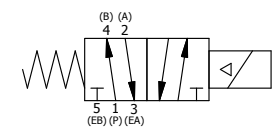


REPAIR KITS:
1) ERKV-3 FOR ALL GASKETS AND VALVE BODY SOFT SEALS.



17	3	V-110	O-RING, 5/8 X 13/16 X 3/32 BUNA 70 D. FOR 1/4 SLEEVE VALVES & STACKING MANIFOLD
16	1	SEC3-7	PLATE, RE-INFORCEMENT, SOLENOID, STAMPED, 304 STAINLESS
15	1	SEC3-1	END CAP, NON-VENTED, 380 AL, 1/4" & 3/8" VALVES
14	2	V-212	SCREW, #2 X 3/16 DRIVE, TYPE U, OVAL HEAD, 316 STAINLESS STEEL
13	1	AN-114	NAME PLATE, BLANK, FOR VALVES WITH SPRINGS OR DETENTS.
12	1	V-613	NASS #NN 3162 251, SPRING WASHER, FOR USE WITH V-567 NUT.
11	1	SW6991	SPRING - RETURN, 80 PSI, 1/4" & 3/8" VALVES
10	1	V-567	NUT, SOLENOID, MUFFLER, SINTERED BRONZE
9	1	V-642	SOLENOID SUPPORT TUBE, DOUBLE WALL TUBE, 3/4"ODX3/16IDX1-1/8 LENGTH
8	1	ECG3	GASKET - END CAP, 1/4" & 3/8" VALVE
7	4	V-584	SCREW, 10-24 X 1 BUTTON HEAD SOCKET CAP WITH MICROSPHERE APPLIED TO THREADS.
6	5	V-39	O-RING, STD BODY, VITON, 1/4" & 3/8" VALVES
5	1	EMG3	GASKET - END MOUNT SOLENOID, BUNA-N, 1/4" & 3/8" VALVES
4	4	V-38	SCREW, 10-24 X 3/4 SHCS, FOR 3/8" CAST END CAP
3	1	V-550-1-SS	SYSTEM 8, STAINLESS ARMATURE, NASS #
2	1	S3	SPOOL - STANDARD, 2 POS, CLSD CTR, 1/4" & 3/8" VALVE
1	1	B2-10E	FINISHED - SOLID BODY, UPPER PILOTS, 1/4" STACKING VALVE
FLG	QTY	PART NO	DESCRIPTION

NOTES:
1) ALWAYS GIVE VALVE MODEL AND PART NUMBER WHEN ORDERING PARTS.



LIMITS ON DIMENSIONS UNLESS OTHERWISE SPECIFIED		2-PL DECIMAL ± .01 3-PL DECIMAL ± .005 FRACTIONAL ± 1/64 ANGULAR ± 1/2°		AAA PRODUCTS INTERNATIONAL 7114 Harry Hines Blvd Dallas, TX 75235
DRAWN: RMckenna	DATE: 8/2/2013	CHECKED: KWaite	DATE: 8/28/2013	
SCALE: 1 : 1	SHEET: 1 OF 1	RELEASED: HWomack	DATE: 8/28/2013	
TITLE: 1/4" STACK, SNGL SOL, 2 POS, SPRING RTRN, 80 PSI SPRING, LESS O-RING, LESS COIL			PART NO.: 708V	REV.: A

A	1/7/2014	RE-ORIENTED ENDCAP TO USE PILOTTED BODY.
NO.	DATE	REVISION

THE INFORMATION CONTAINED WITHIN THIS DOCUMENT IS PROPRIETARY TO AAA PRODUCTS AND MAY NOT BE DISCLOSED WITHOUT PRIOR WRITTEN CONSENT

P:\Engineering\Inventory Files\Internal Drawings\Valves Assembly\Standard\708V.dwg