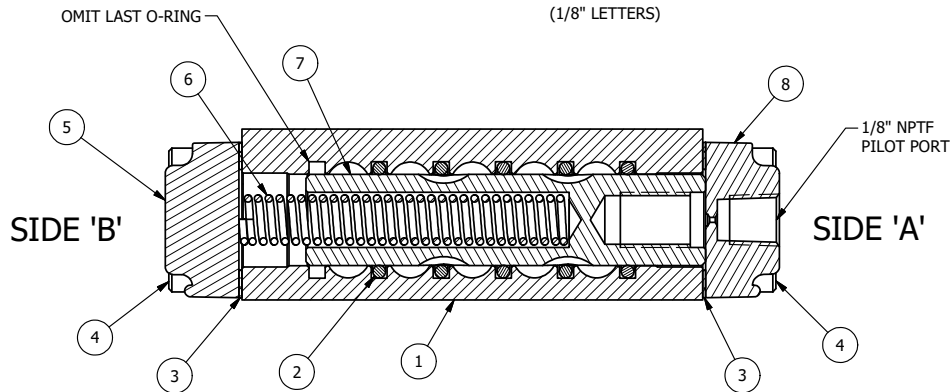


POSITION GASKET ON END OF VALVE SO MOUNTING HOLES ALIGN, BOTH ENDS (SIDE 'A' SHOWN)

**NO CHANGES TO DRAWING WITHOUT CONSENT**  
**DOW-55 GREASE**  
**NO NAME TAG**  
**PACKAGING & HANDLING**  
 1) NO TAG ON BOX  
 2) NO INSTRUCTION SHEET WITH VALVE  
 3) DO NOT SEAL BAGS

MARK VALVE WITH THE PART NUMBER AND DATE CODE  
 EX: 689V XX WHERE XX IS THE CURRENT DATE CODE  
 (1/8" LETTERS)

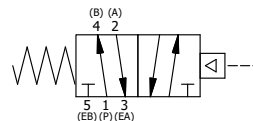


**SECTION A-A**  
**SCALE 1 : 1**  
 VIEW FROM 3 PORT SIDE

NOTES:  
 1) ALWAYS GIVE VALVE MODEL AND PART NUMBER WHEN ORDERING PARTS.

FLG	QTY	PART NO	DESCRIPTION
8	1	PEC3	END CAP, PILOT, 380 AL, 1/4" & 3/8" VALVE
7	1	S3	SPOOL - STANDARD, 2 POS, CLSD CTR, 1/4" & 3/8" VALVE
6	1	CS3	SPRING - RETURN, (EXCEPT HO, KO & PO) 1/4" & 3/8" VALVES
5	1	SEC3-1	END CAP, NON-VENTED, 380 AL, 1/4" & 3/8" VALVES
4	8	V-38	SCREW, 10-24 X 3/4 SHCS, FOR 3/8" CAST END CAP
3	2	ECG3	GASKET - END CAP, 1/4" & 3/8" VALVE
2	5	V-39	O-RING, STD BODY, VITON, 1/4" & 3/8" VALVES
1	1	B3-2E	BODY - SOLID, PLAIN, NO PILOTS, ANODIZED, 3/8" SIDE PORT VALVE

LIMITS ON DIMENSIONS UNLESS OTHERWISE SPECIFIED		2-PL DECIMAL ± .01 3-PL DECIMAL ± .005 FRACTIONAL ± 1/64 ANGULAR ± 1/2°		<b>AAA PRODUCTS INTERNATIONAL</b> 7114 Harry Hines Blvd Dallas, TX 75235
DRAWN: RMckenna	DATE: 11/29/2012	CHECKED: KWaite	DATE: 12/6/2012	
SCALE: 1 : 1	SHEET: 1 OF 1	RELEASED: HWomack	DATE: 12/6/2012	
TITLE: 3/8" SIDE PORT, SNGL PILOT, 2 POS, SPRING RTRN, DOW-55 GREASE, NO NAME TAG			PART NO.: 689V	REV.: B



NO.	DATE	REVISION
B	6/29/2017	CHGD ENDCAP FROM SEC3-A TO SEC3-1, OMIT LAST O-RING PER BILL ALLEN @HIGGINSON. DATE CODE: CD
A	10/29/2014	CHANGED FROM CAST BODY TO SOLID ALUMINUM. B3-2E WAS B3-2.

THE INFORMATION CONTAINED WITHIN THIS DOCUMENT IS PROPRIETARY TO AAA PRODUCTS AND MAY NOT BE DISCLOSED WITHOUT PRIOR WRITTEN CONSENT

P:\Engineering\Inventory Files\Internal Drawings\Valves Assembly\Pilot Spec\689V.dwg