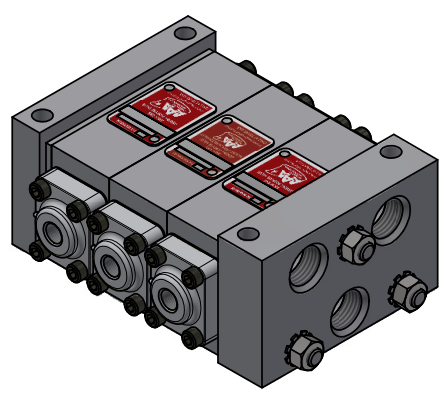
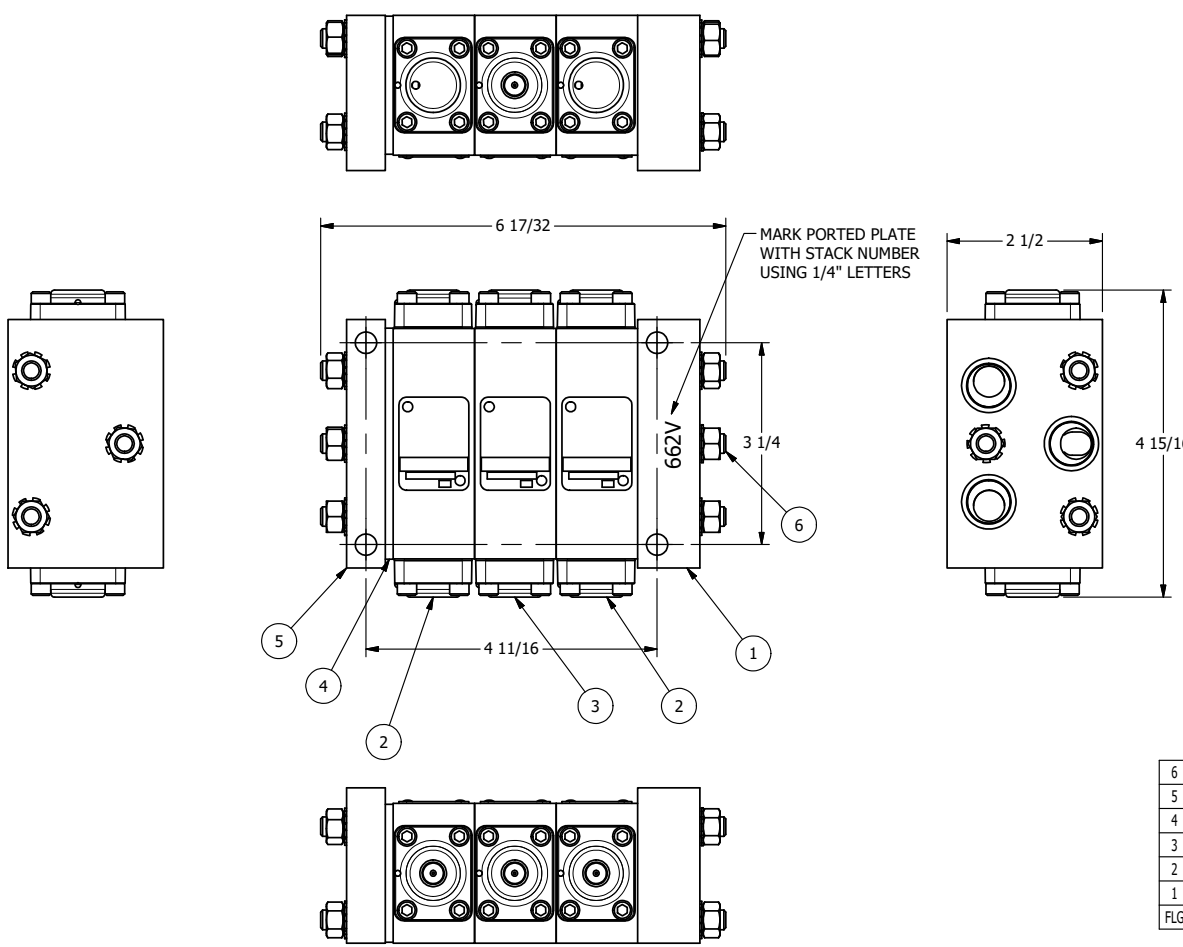


4 | 3 | 2 | 1




THE FOLLOWING PARTS ARE INCLUDED WITH INDIVIDUAL VALVES, SECTIONS OR PLATES AND ARE USED TO ASSEMBLE.

QTY	PART NO	DESCRIPTION
15	V-110	O-RING, BUNA-N, 70 DURO, AS-114, (REF 5/8 X 13/16 X 3/32), 1/4" SLEEVE, 1/2" SUB, STACK

6	1	TRK-18	TIE ROD KIT - 18" LONG WITH HARDWARE, (CUT TO LENGTH), B-SERIES STACK VALVE
5	1	BEP-4	PLATE, BLIND END, 1/4" & 3/8" STACK VALVE
4	1	BOS-4	SPACER - O-RING DIVIDER, 1/4" & 3/8" STACKING VALVE
3	1	BRR2	1/4" STACK, DBL PILOT, 2 POS, FRICTION POS, PILOT RTRN
2	2	BRO2	1/4" STACK, SNGL PILOT, 2 POS, SPR RTRN
1	1	PEP-4	PLATE, PORTED END, 1/2" NPTF, 1/4" & 3/8" STACK VALVE
FLG	QTY	PART NO	DESCRIPTION

NOTES:
 1) ALWAYS GIVE VALVE MODEL AND PART NUMBER WHEN ORDERING PARTS.
 2) CUT TIE RODS TO 6 17/32.

LIMITS ON DIMENSIONS UNLESS OTHERWISE SPECIFIED	2-PL DECIMAL ± .01 3-PL DECIMAL ± .005 FRACTIONAL ± 1/64 ANGULAR ± 1/2°	 AAA PRODUCTS INTERNATIONAL 7114 Harry Hines Blvd Dallas, TX 75235	
DRAWN: RMckenna	DATE: 10/4/2011		CHECKED: KWaite
SCALE: 1 / 2	SHEET: 1 OF 1	RELEASED: HWomack	DATE: 10/16/2013
TITLE: ASSEMBLY, B-STACK VALVES, PEP4-BRO2-BRR2-BRO2-BOS4-BEP4		PART NO.: 662V	REV.:

4 | 3 | 2 | 1

THE INFORMATION CONTAINED WITHIN THIS DOCUMENT IS PROPRIETARY TO AAA PRODUCTS AND MAY NOT BE DISCLOSED WITHOUT PRIOR WRITTEN CONSENT

P:\Engineering\product\Valves\Assembly\Stack\Draws\662V.dwg