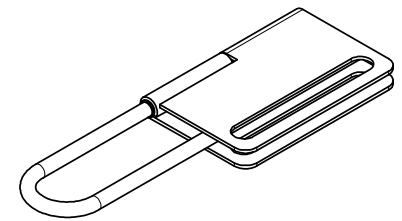
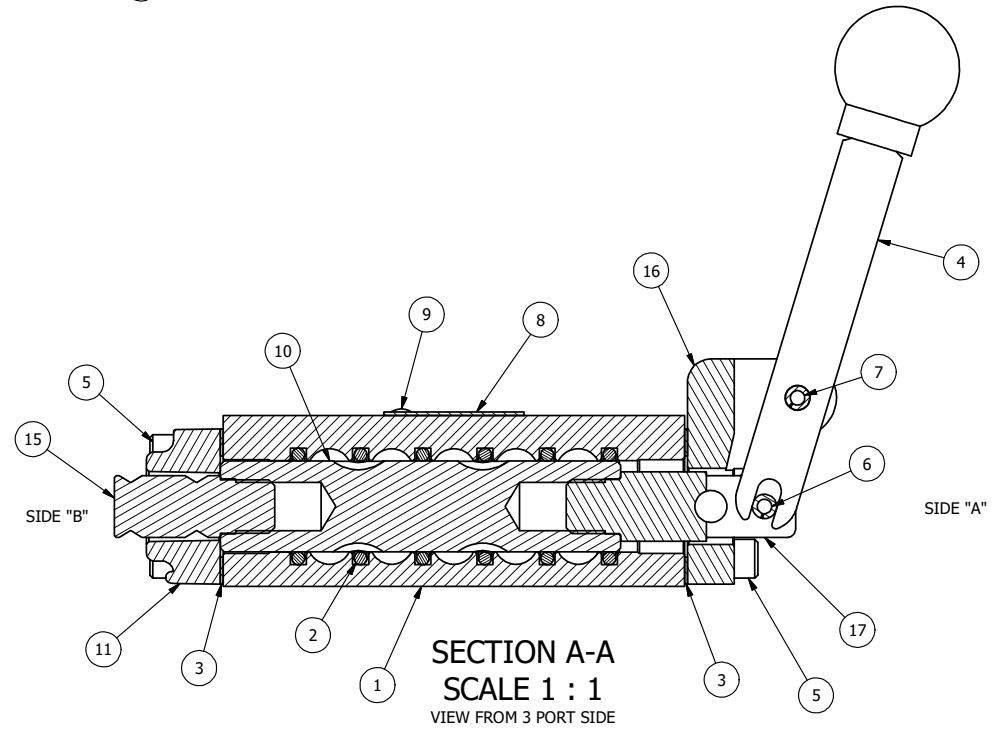


ALIGN GASKET SO MOUNTING HOLES ALIGN, BOTH ENDS



VALVE SHIPS WITH QNTY 1 OF LO23

- NOTES:
 1) ALWAYS GIVE VALVE MODEL, AND PART NUMBER WHEN ORDERING PARTS.
 2) LUBRICATE DETENT BALL, SPRING AND CLEVIS.



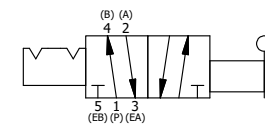
18	1	LO23	LOCKOUT HASP, 1/4" & 3/8" VALVES
17	1	HC3-1LOA	CLEVIS - POS. A LOCKOUT, 1/4" & 3/8" VALVE
16	1	HE3-1LO	END CAP, LEVER, LOCK OUT, 380 AL, 1/4" & 3/8" VALVE
15	1	PBS3-13	STUD - POS. A & C. DETENT, 1/4" & 3/8" VALVE
14	1	DS3	SPRING - DETENT, 1/4" & 3/8" VALVE
13	1	V-14	BALL, CHROME STEEL 3/16 DIA, GRADE 25, FOR DETENT
12	1	V-21	SCREW, 1/4-20 X 3/16, SOCKET SET, CUP POINT
11	1	PEC3-3	END CAP, PALM, DETENT, 380 AL, 1/4" & 3/8" VALVE
10	1	S3R	SPOOL - SOLID, STANDARD, 2 POS, CLSD CTR, 1/4" & 3/8" VALVE
9	2	V-212	SCREW, 2 X 3/16, DRIVE, TYPE U, OVAL HEAD, 316 SS
8	1	AN-114	NAME PLATE, BLANK, FOR VALVES WITH SPRINGS OR DETENTS.
7	1	V-7	PIN, ROLL 3/16 X 11/16 FOR 1/4 THRU 1/2" HAND, FT. & CAM V
6	1	V-48	PIN, ROLL 3/16 X 9/16 ZINC PLATED STEEL
5	8	V-38	SCREW, 10-24 X 3/4, SOCKET HEAD CAP
4	1	HL3-24	HAND LEVER WITH KNOB, 1/4" & 3/8" VALVE
3	2	ECG3	GASKET - END CAP, 1/4" & 3/8" VALVE
2	6	V-39	O-RING, STD BODY, VITON, 1/4" & 3/8" VALVES
1	1	B3-2E	BODY - SOLID, PLAIN, NO PILOTS, ANODIZED, 3/8" SIDE PORT VALVE
FLG	QTY	PART NO	DESCRIPTION

LIMITS ON DIMENSIONS
 UNLESS OTHERWISE SPECIFIED
 2-PL DECIMAL ± .01
 3-PL DECIMAL ± .005
 FRACTIONAL ± 1/64
 ANGULAR ± 1/2°



DRAWN: RMcKenna DATE: 11/2/2010 CHECKED: KWhite DATE: 5/28/2015
 SCALE: 1:1 SHEET: 1 OF 1 RELEASED: HWomack DATE: 5/28/2015

TITLE: 3/8" SIDE PORT, LEVER, 2 POS, REAR DETENT, LOCKOUT POS A, W/LO23 HASP	PART NO.: 642V	REV.:
---	-------------------	-------



THE INFORMATION CONTAINED WITHIN THIS DOCUMENT IS PROPRIETARY TO AAA PRODUCTS AND MAY NOT BE DISCLOSED WITHOUT PRIOR WRITTEN CONSENT

D:\Engineering\Inventor Files\Internal Drawings\Valves\Assembly\Level\Special\642V.dwg