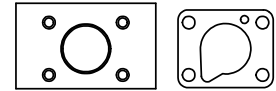
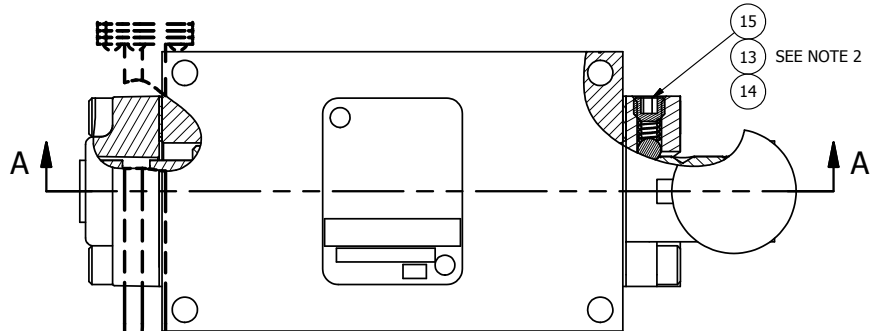


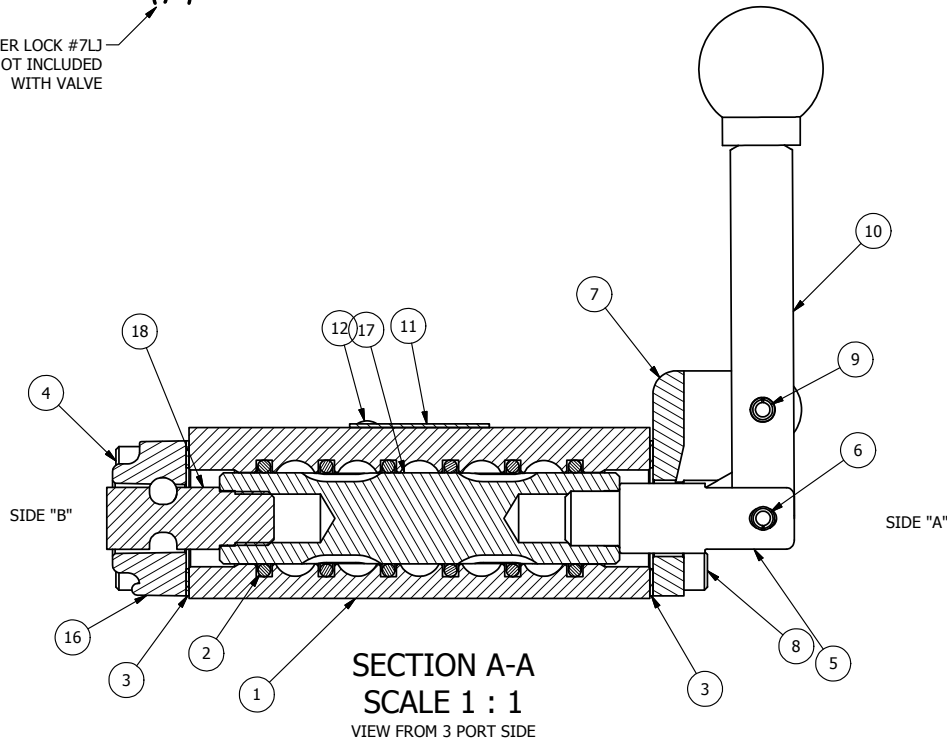
4 | 3 | 2 | 1



POSITION GASKET ON END OF VALVE SO MOUNTING HOLES ALIGN BOTH ENDS (SIDE 'A' SHOWN)

- NOTES:  
 1) ALWAYS GIVE VALVE MODEL, AND PART NUMBER WHEN ORDERING PARTS.  
 2) LUBRICATE DETENT BALL, SPRINGS, STUD AND CLEVIS.  
 3) USE LO23 HASP OR MASTER LOCK #7LJ. NOT INCLUDED WITH VALVE.

MASTER LOCK #7LJ  
 NOT INCLUDED  
 WITH VALVE



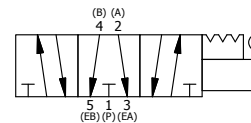
18	1	PBS3-641V	STUD - REAR LOCKOUT, POS. B, 1/4" & 3/8" VALVE
17	1	S3RG	SPOOL - SOLID, 'G', 2 POS, FLOAT CTR, 1/4" & 3/8" VALVE
16	1	PEC3-2LO	END CAP, PALM, LOCK OUT, 380 AL, 1/4" & 3/8" VALVE
15	1	V-21	SCREW, 1/4-20 X 3/16 SOCKET SET (CUP POINT)
14	1	DS3	SPRING - DETENT, 1/4" & 3/8" VALVE
13	1	V-14	BALL, CHROME STEEL 3/16 DIA. FOR DETENT
12	2	V-212	SCREW, #2 X 3/16 DRIVE, TYPE U, OVAL HEAD, 316 STAINLESS STEEL
11	1	AN-114	NAME PLATE, BLANK, FOR VALVES WITH SPRINGS OR DETENTS.
10	1	HL3-24	HAND LEVER WITH KNOB, 1/4" & 3/8" VALVE
9	1	V-7	PIN, ROLL 3/16 X 11/16 FOR 1/4 THRU 1/2" HAND, FT. & CAM V
8	4	V-38	SCREW, 10-24 X 3/4 SHCS, FOR 3/8" CAST END CAP
7	1	HE3-3	END CAP, LEVER, 380 AL, 1/4" & 3/8" VALVE
6	1	V-48	PIN, ROLL 3/16 X 9/16 ZINC PLATED STEEL FOR 1/4 HAND & FOOT CLEVIS
5	1	HC3-3	CLEVIS - 3 POS. DETENT, 1/4" & 3/8" VALVE
4	4	V-37	SCREW, 10-24 X 1/2 SHCS, FOR 1/8" STEEL END CAPS
3	2	ECG3	GASKET - END CAP, 1/4" & 3/8" VALVE
2	6	V-39	O-RING, STD BODY, VITON, 1/4" & 3/8" VALVES
1	1	B3-2E	BODY - SOLID, PLAIN, NO PILOTS, ANODIZED, 3/8" SIDE PORT VALVE
FLG	QTY	PART NO	DESCRIPTION

LIMITS ON DIMENSIONS  
 UNLESS OTHERWISE SPECIFIED  
 2-PL DECIMAL ± .01  
 3-PL DECIMAL ± .005  
 FRACTIONAL ± 1/64  
 ANGULAR ± 1/2°



DRAWN: RMckenna DATE: 9/20/2010 CHECKED: KWaite DATE: 5/28/2015  
 SCALE: 1 : 1 SHEET: 1 OF 1 RELEASED: HWomack DATE: 5/28/2015

TITLE: 3/8" SIDE PORT, LEVER, 3 POS, DETENT, LVR SHFT, FLOAT CTR SPL REAR LOCKOUT POS B	PART NO.: 641V	REV.:
--	-------------------	-------



4 | 3 | 2 | 1