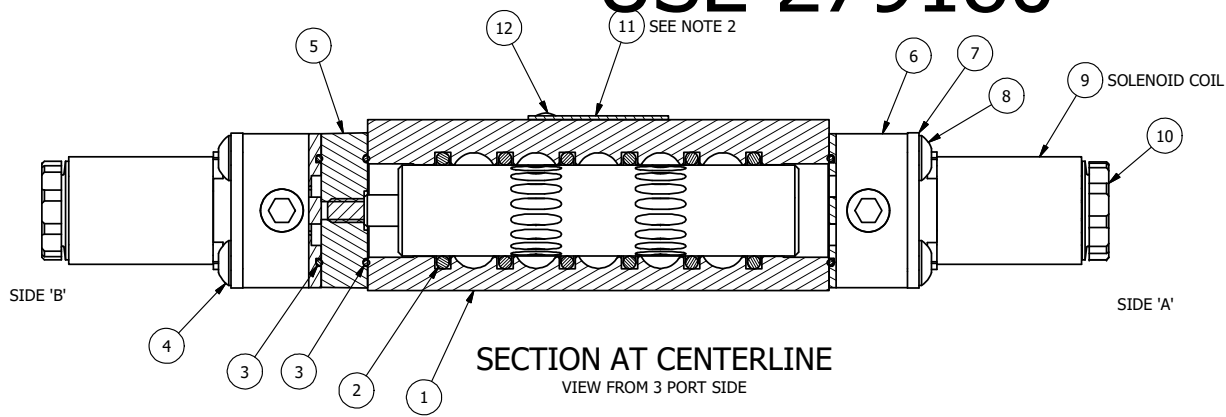


- NOTES:
- 1) ALWAYS GIVE VALVE MODEL AND PART NUMBER WHEN ORDERING PARTS.
 - 2) MARK V-633 NEW FLYER'S NAMETAG WITH VALVE NUMBER 279177.
 - 3) AMPERAGE OF THE 12VDC COIL IS 0.38 AMPS.

NO CHANGES TO PRINT MAY OCCUR WITHOUT CUSTOMER APPROVAL

PRINT FOR REFERENCE

USE 279180



FLG	QTY	PART NO	DESCRIPTION
12	2	V-212	SCREW, 2 X 3/16, DRIVE, TYPE U, OVAL HEAD, 316 SS
11	1	V-633	BLANK PRIVATE LABEL NAMEPLATE, NEW FLYER
10	2	V-556	NUT, SOLENOID, TOP EXHAUST, KNURLED
9	2	V-569-2	SYSTEM 8 COIL 12 VDC.NASS # 108-030-1320.
8	4	V-584	SCREW, 10-24 X 1, BUTTON HEAD SOCKET CAP WITH MICROSPHERE APPLIED TO THREADS.
7	2	SEC3-7	PLATE, RE-INFORCEMENT, SOLENOID, STAMPED, 304 STAINLESS
6	2	V-550-1	NASS SYSTEM 8 SOLENOID BODY(1417 16.6-00) ULTRAMIN B3EG10.
5	1	AY-EMY3	ASSY - SPR CTR, CLSD CTR SPL, END MOUNT SOLENOID, 1/4" & 3/8" VALVES
4	4	V-601	SCREW, 10-24 X 1-1/2, BUTTON HEAD SOCKET CAP WITH MICROSPHERE ADHESIVE
3	3	EMG3	GASKET - END MOUNT SOLENOID, BUNA-N, 1/4" & 3/8" VALVES
2	6	V-39	O-RING, STD BODY, VITON, 1/4" & 3/8" VALVES
1	1	B3-1E	BODY - SOLID, BUTTON BLEEDER, ANODIZED, 3/8" SIDE PORT VALVE

LIMITS ON DIMENSIONS UNLESS OTHERWISE SPECIFIED		2-PL DECIMAL ± .01 3-PL DECIMAL ± .005 FRACTIONAL ± 1/64 ANGULAR ± 1/2°		AAA PRODUCTS INTERNATIONAL 7114 Harry Hines Blvd Dallas, TX 75235
DRAWN: RMckenna	DATE: 7/7/2009	CHECKED: KWait	DATE: 4/18/2015	
SCALE: 1 : 1	SHEET: 1 OF 1	RELEASED: HWomack	DATE: 4/18/2015	
TITLE: 3/8" SIDE PORT, DBL SOL, 3 POS, SPR CTR, SOL SHTF, CLSD CTR SPOOL, 12VDC, NEW FLYER 279180			PART NO.: 613VY	REV.: B

NO.	DATE	REVISION
B	6/1/2018	ECG3 GASKET TO ENG3, CHNGD END CAP GEOM.
A	8/9/10	MODIFIED TO SHOW SUB-ASSEMBLIES FOR CUSTOMER REPLACEMENT.

THE INFORMATION CONTAINED WITHIN THIS DOCUMENT IS PROPRIETARY TO AAA PRODUCTS AND MAY NOT BE DISCLOSED WITHOUT PRIOR WRITTEN CONSENT

D:\Engineering\Inventor Files\Internal Drawings\Sub Assemblies\Standard\Special\613VY.dwg