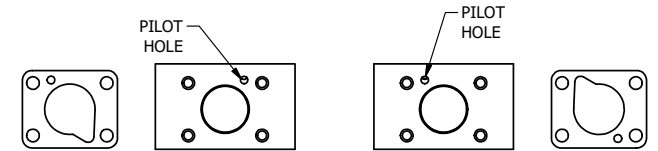
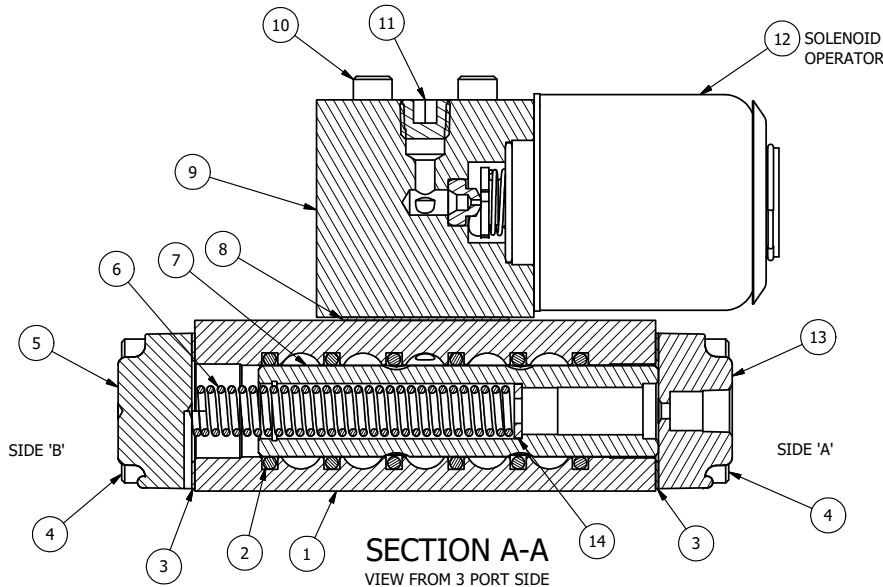


ALIGN HOLES IN GASKET AS SHOWN.
 (FOR EXTERNAL PILOT PRESSURE, REMOVE PIGGY BACK
 BLOCK AND ROTATE 180°. LEAVE GASKET AS SHOWN. REMOVE
 1/8" PLUG AND CONNECT SUPPLY PRESSURE - 160 PSI MAX.)



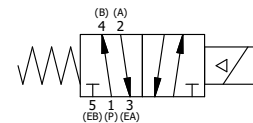
POSITION GASKET TO SEAL PILOT HOLE
 ON SIDE 'B' AS SHOWN.

ALIGN PILOT HOLE AND CENTER CUTOUT
 ON SIDE 'A' AS SHOWN.



16	2	V-212	SCREW, #2 X 3/16 DRIVE, TYPE U, OVAL HEAD, STAINLESS STEEL
15	1	AN-106	NAMEPLATE, BLANK, STAINLESS STEEL
14	1	V-43	WASHER - SPRING CTR, 302/304 STAINLESS STEEL, 1/4" & 3/8" VALVES
13	1	DP3-SS	ENDCAP, BUTTON BLEEDER, STAINLESS, 1/4" & 3/8" VALVE
12	1	AY-38X-10	CLASSIC SOLENOID - EXPLOSION PROOF, CLASS 'H', 120/60VAC, 38.5VDC, 110/50VAC
11	1	V-19-SS	PLUG, SOCKET PIPE 1/8"-27 NPT, 7/8 TAPER, PLAIN, FLUSH SEAL, STAINLESS STEEL
10	4	V-1-SS	SCREW, 10-24 X 2, SOCKET HEAD CAP, STAINLESS STEEL
9	1	ZPB3-1E	ADAPTOR - SINGLE SOLENOID, BRASS, 1/4" & 3/8" VALVES
8	1	PBG3-1	GASKET - PIGGY BACK, SINGLE SOLENOID, 1/4" & 3/8" VALVE
7	1	SSH3-SS	SPOOL - STANDARD, 2 POS, CLSD CTR, STAINLESS, 1/4" & 3/8" VALVE
6	1	CS3	SPRING - RETURN, (EXCEPT HO, KO & PO) 1/4" & 3/8" VALVES
5	1	SEC3-3	END CAP, VENTED, STAINLESS STEEL, 1/4" & 3/8" VALVES
4	8	V-38-SS	SCREW, 10-24 X 3/4, SOCKET HEAD CAP, 18-8 SS
3	2	ECG3	GASKET - END CAP, 1/4" & 3/8" VALVE
2	6	V-39	O-RING, VITON, STD BODY, 1/4" & 3/8" VALVES
1	1	ZB2-6	BODY - BRASS, PIGGY BACK, 1/4" SIDE PORT VALVE
FLG	QTY	PART NO	DESCRIPTION

NOTES:
 1) ALWAYS GIVE VALVE MODEL AND PART NUMBER WHEN ORDERING PARTS.



LIMITS ON DIMENSIONS UNLESS OTHERWISE SPECIFIED		2-PL DECIMAL ± .01 3-PL DECIMAL ± .005 FRACTIONAL ± 1/64 ANGULAR ± 1/2°		AAA PRODUCTS INTERNATIONAL 7114 Harry Hines Blvd Dallas, TX 75235
DRAWN: RMckenna	DATE: 8/15/2007	CHECKED: KWaite	DATE: 7/2/2016	
SCALE: 1 : 1	SHEET: 1 OF 1	RELEASED: HWomack	DATE: 7/2/2016	
TITLE: 1/4" SIDE PORT, SNGL SOL, 2 POS, SPRING RTRN, EXPL PROOF, 120/60, CLASS 'H', BRASS & STAINLESS			PART NO.: 462V	REV.: A

A	NO.	DATE	REVISION
	8/18/2020	REPLACED S3-SS WITH SSH3-SS AND V-43.	

THE INFORMATION CONTAINED WITHIN THIS DOCUMENT IS PROPRIETARY TO AAA PRODUCTS AND MAY NOT BE DISCLOSED WITHOUT PRIOR WRITTEN CONSENT