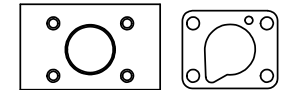
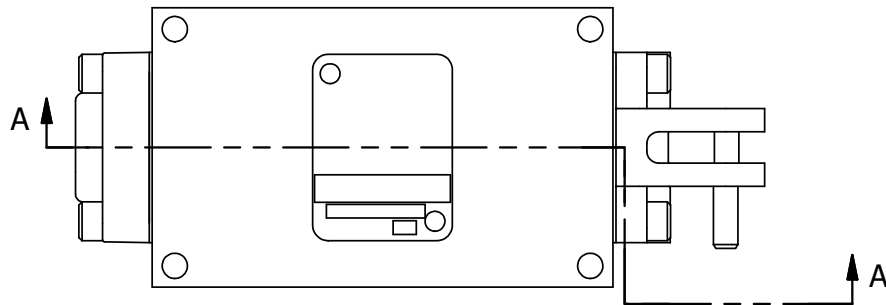
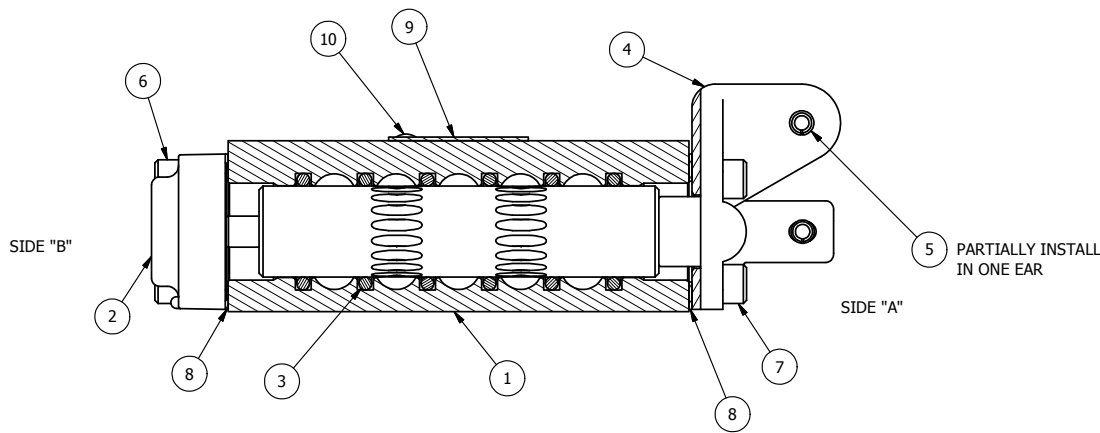


4 | 3 | 2 | 1

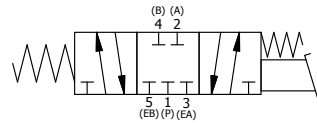


POSITION GASKET ON END OF VALVE SO MOUNTING HOLES ALIGN, BOTH ENDS (SIDE 'A' SHOWN)



SECTION A-A
SCALE 1 : 1
VIEW FROM 3 PORT SIDE

NOTES:
1) ALWAYS GIVE VALVE MODEL, AND PART NUMBER WHEN ORDERING PARTS.



FLG	QTY	PART NO	DESCRIPTION
10	2	V-212	SCREW, #2 X 3/16 DRIVE, TYPE U, OVAL HEAD, 316 STAINLESS STEEL
9	1	AN-114	NAME PLATE, BLANK, FOR VALVES WITH SPRINGS OR DETENTS.
8	2	ECG3	GASKET - END CAP, 1/4" & 3/8" VALVE
7	4	V-162	SCREW, 10-24 X 5/8 SHCS CAP RZH VALVE & JIFFY WIPER
6	4	V-38	SCREW, 10-24 X 3/4 SHCS, FOR 3/8" CAST END CAP
5	1	V-508	PIN, ROLL 3/16 X 5/8 ZINC PLATED STEEL FOR 1/4 FOOT ENDCAP
4	1	FE3-1	END CAP, FOOT PEDAL, 303 STAINLESS, 1/4" & 3/8" VALVE
3	6	V-39	O-RING, STD BODY, VITON, 1/4" & 3/8" VALVES
2	1	AY-HY3	ASSY - SPR CTR, CLSD CTR SPL, LEVER OR TREADLE, 1/4 & 3/8 VALVES
1	1	B3-2E	BODY - SOLID, PLAIN, NO PILOTS, ANODIZED, 3/8" SIDE PORT VALVE

LIMITS ON DIMENSIONS UNLESS OTHERWISE SPECIFIED		2-PL DECIMAL ± .01 3-PL DECIMAL ± .005 FRACTIONAL ± 1/64 ANGULAR ± 1/2°		AAA PRODUCTS INTERNATIONAL 7114 Harry Hines Blvd Dallas, TX 75235
DRAWN: RMckenna	DATE: 5/20/2013	CHECKED: KWaite	DATE: 5/27/2015	
SCALE: 1 : 1	SHEET: 1 OF 1	RELEASED: HWomack	DATE: 5/27/2015	
TITLE: 3/8" SIDE PORT, TREADLE, 3 POS, SPR CTR, CLSD CTR SPL, LESS TREADLE			PART NO.: 405VY	REV.:

THE INFORMATION CONTAINED WITHIN THIS DOCUMENT IS PROPRIETARY TO AAA PRODUCTS AND MAY NOT BE DISCLOSED WITHOUT PRIOR WRITTEN CONSENT

4 | 3 | 2

D:\Engineering\Inventory Files\Internal Drawings\Valves Assembly\Special\405VY.dwg