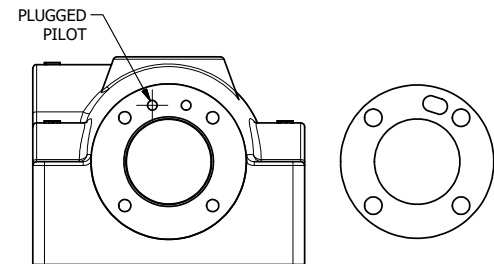
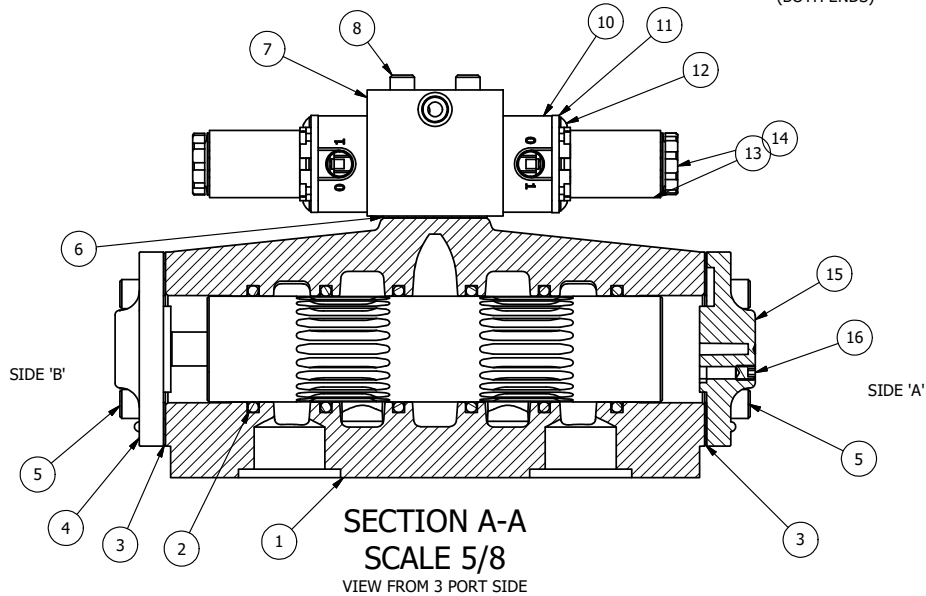


16 TAP 10-24, DEPTH 3/8  
INSTALL BELOW FLUSH  
W/LOCTITE  
(BOTH ENDS)



ALIGN AUXILIARY PILOT AND HOLE IN GASKET AS SHOWN.  
BOTH ENDS, (SIDE 'A' SHOWN).



SECTION A-A  
SCALE 5/8  
VIEW FROM 3 PORT SIDE

17	1	SPK-8	KIT - SUBPLATE MOUNT, 1" SUBPLATE VALVES
16	3	V-31	SCREW, 10-24 X 1/4 SOCKET SET FOR SC3-C & SC4-C
15	1	PEC48-3-404V	END CAP, NON-VENTED, 380 AL, 404V VALVE
14	3	V-556	NUT, SOLENOID, TOP EXHAUST, KNURLED
13	3	V-551-1	THERMOPLASTIC ENCAPSULATED COIL 120V 50/60HZ, NASS P/N # 108-030-0455
12	12	V-584	SCREW, 10-24 X 1 BUTTON HEAD SOCKET CAP WITH MICROSPHERE APPLIED TO THREADS.
11	3	SEC3-7	PLATE, RE-INFORCEMENT, SOLENOID, STAMPED, 304 STAINLESS
10	3	V-550-1	NASS SYSTEM 8 SOLENOID BODY(1417 16.6-00) ULTRAMIN B3EG10.
9	3	EMG3	GASKET - END MOUNT SOLENOID, BUNA-N, 1/4" & 3/8" VALVES
8	4	V-1	SCREW, 10-24 X 2 SHCS FOR SOL. ADAPTER TO BODY
7	1	PB3-404V	ADAPTOR, PIGGY BACK, ENDMOUNT, W/SOLENOID CONTROLLED PSI
6	1	PBG3	GASKET - PIGGY BACK, DOUBLE SOLENOID, 1/4" & 3/8" VALVE
5	8	V-46	SCREW, 1/4-20 X 3/4 SHCS, HOLDS E.C TO 1/2-1" VALVES
4	1	AY-404V	ASSY - SPR CTR, CLSD CTR SPL, 404V, 3/4" & 1" VALVE
3	2	ECG48	GASKET - END CAP, 1/2", 3/4" & 1" VALVE
2	6	V-30	O-RING, 1 3/8 X 1 5/8 X 1/8, BUNA-N, N100/70, 70D, ASS68A-220, 3/4" & 1" VALVES
1	1	BP8-404V	BODY, 1" SUBPLATE, CUST PILOT & TOP DETAIL, STD PILOT PLUGGED
FLG	QTY	PART NO	DESCRIPTION

LIMITS ON DIMENSIONS  
UNLESS  
OTHERWISE SPECIFIED

2-PL DECIMAL ± .01  
3-PL DECIMAL ± .005  
FRACTIONAL ± 1/64  
ANGULAR ± 1/2°



DRAWN: RMckenna DATE: 3/25/2017

CHECKED: KWaite DATE: 3/25/2017

SCALE: None SHEET: 1 OF 1

RELEASED: HWomack DATE: 3/25/2017

TITLE:  
1" SIDE PORT, TRPL SOL, 3 POS,  
SPR CTR, SOL SHFT, FLOAT CTR SPL,  
SOL CNTRLD EXT PILOT, 24VDC

PART NO.:  
404V

REV.:  
A

NO.	DATE	REVISION
A	3/25/2017	CHNG ORIENTATION OF SOL OVRD SO SOL BLK CAN BE USED IN OTHER USES.

THE INFORMATION CONTAINED WITHIN THIS DOCUMENT IS PROPRIETARY TO AAA PRODUCTS AND MAY NOT BE DISCLOSED WITHOUT PRIOR WRITTEN CONSENT