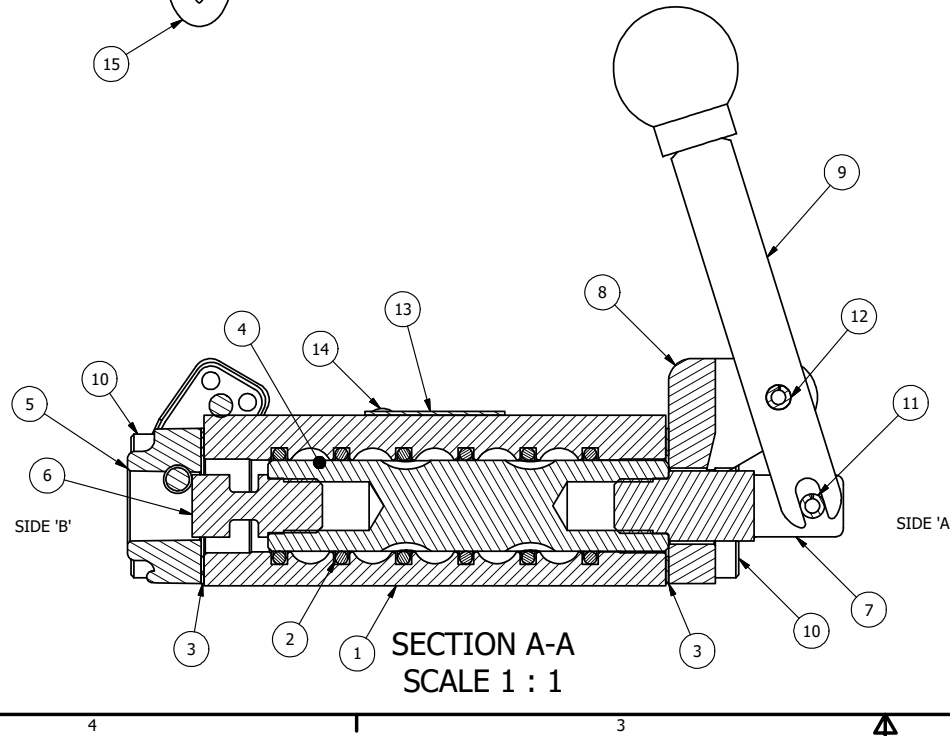
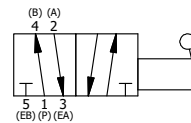


POSITION GASKET ON END OF VALVE SO MOUNTING HOLES ALIGN BOTH ENDS (SIDE 'A' SHOWN)

- NOTES:
 1) ALWAYS GIVE VALVE MODEL, AND PART NUMBER WHEN ORDERING PARTS.
 2) MASTER LOCK #7LJ INCLUDED WITH VALVE.



15	1	7LJKAP176	PADLOCK - #7 MASTER 2-1/2" SHACKLE
14	2	V-212	SCREW, #2 X 3/16 DRIVE, TYPE U, OVAL HEAD, STAINLESS STEEL
13	1	AN-115	BLANK NAMEPLATE FOR HE,KE,KD,RR,D,CR,PP,SR,SS VALVES.
12	1	V-7	PIN, ROLL 3/16 X 11/16, STEEL, FOR 1/4 THRU 1/2" HAND, FT & CAM V
11	1	V-48	PIN, ROLL 3/16 X 9/16, STEEL, ZINC PLATED
10	8	V-38	SCREW, 10-24 X 3/4, SOCKET HEAD CAP
9	1	HL3-24	HAND LEVER WITH KNOB, 1/4" & 3/8" VALVE
8	1	HE3-1	END CAP, LEVER, 380 AL, 1/4" & 3/8" VALVE
7	1	HC3	CLEVIS - NO DETENTS, 1/4" & 3/8" VALVE
6	1	PBS3-402V	STUD - REAR LOCKOUT, POS. A & C, STAINLESS, 1/4" & 3/8" VALVE
5	1	PEC3-2LO	END CAP, PALM, LOCK OUT, 380 AL, 1/4" & 3/8" VALVE
4	1	S3R	SPOOL - SOLID, STANDARD, 2 POS, CLSD CTR, 1/4" & 3/8" VALVE
3	2	ECG3	GASKET - END CAP, 1/4" & 3/8" VALVE
2	6	V-39	O-RING, STD BODY, VITON, 1/4" & 3/8" VALVES
1	1	B2-2E	BODY - SOLID, PLAIN, NO PILOTS, ANODIZED, 1/4" SIDE PORT VALVE
FLG	QTY	PART NO	DESCRIPTION



LIMITS ON DIMENSIONS UNLESS OTHERWISE SPECIFIED		2-PL DECIMAL ± .01 3-PL DECIMAL ± .005 FRACTIONAL ± 1/64 ANGULAR ± 1/2°	AAA PRODUCTS INTERNATIONAL 7114 Harry Hines Blvd Dallas, TX 75235	
DRAWN: RHuffstetter	DATE: 10/14/2002	CHECKED: KWaitte	DATE: 5/28/2015	
SCALE: 1 : 1	SHEET: 1 OF 1	RELEASED: HWomack	DATE: 5/28/2015	
TITLE: 1/4" SIDE PORT, LEVER, 2 POS, FRICTION POS, LEVER RTRN, REAR LOCKOUT A & C			PART NO.: 402V	REV.:

THE INFORMATION CONTAINED WITHIN THIS DOCUMENT IS PROPRIETARY TO AAA PRODUCTS AND MAY NOT BE DISCLOSED WITHOUT PRIOR WRITTEN CONSENT