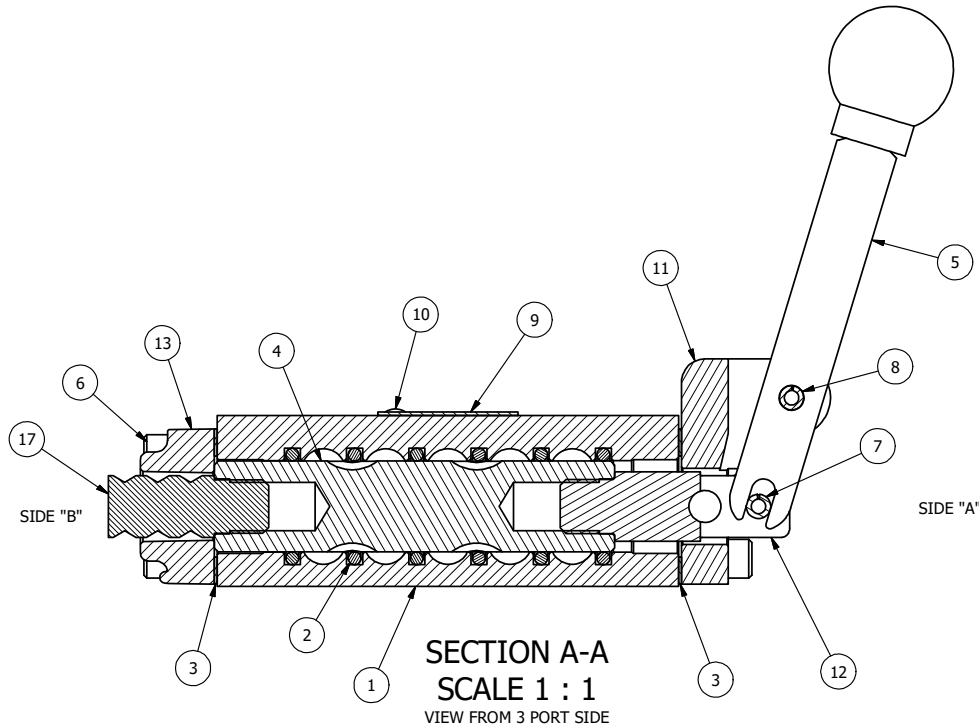


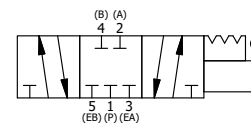
VALVE SHIPS WITH QNTY 1 OF LO23

NOTES:

- 1) ALWAYS GIVE VALVE MODEL, AND PART NUMBER WHEN ORDERING PARTS.
- 2) LUBRICATE DETENT BALL, SPRING AND CLEVIS.



18	1	LO23	LOCKOUT HASP, 1/4" & 3/8" VALVES
17	1	PBS3-14	STUD - 3 POS. DETENT, 1/4" & 3/8" VALVE
16	1	V-14	BALL, CHROME STEEL 3/16 DIA, GRADE 25, FOR DETENT
15	1	DS3	SPRING - DETENT, 1/4" & 3/8" VALVE
14	1	V-21	SCREW, 1/4-20 X 3/16, SOCKET SET, CUP POINT
13	1	PEC3-3	END CAP, PALM, DETENT, 380 AL, 1/4" & 3/8" VALVE
12	1	HC3-1LOA	CLEVIS - POS. A LOCKOUT, 1/4" & 3/8" VALVE
11	1	HE3-1LO	END CAP, LEVER, LOCK OUT, 380 AL, 1/4" & 3/8" VALVE
10	2	V-212	SCREW, 2 X 3/16, DRIVE, TYPE U, OVAL HEAD, 316 SS
9	1	AN-114	NAME PLATE, BLANK, FOR VALVES WITH SPRINGS OR DETENTS.
8	1	V-7	PIN, ROLL 3/16 X 11/16 FOR 1/4 THRU 1/2" HAND, FT. & CAM V
7	1	V-48	PIN, ROLL 3/16 X 9/16 ZINC PLATED STEEL
6	8	V-38	SCREW, 10-24 X 3/4, SOCKET HEAD CAP
5	1	HL3-24	HAND LEVER WITH KNOB, 1/4" & 3/8" VALVE
4	1	S3R	SPOOL - SOLID, STANDARD, 2 POS, CLSD CTR, 1/4" & 3/8" VALVE
3	2	ECG3	GASKET - END CAP, 1/4" & 3/8" VALVE
2	6	V-39	O-RING, STD BODY, VITON, 1/4" & 3/8" VALVES
1	1	B2-2E	BODY - SOLID, PLAIN, NO PILOTS, ANODIZED, 1/4" SIDE PORT VALVE
FLG	QTY	PART NO	DESCRIPTION



LIMITS ON DIMENSIONS UNLESS OTHERWISE SPECIFIED		2-PL DECIMAL ± .01 3-PL DECIMAL ± .005 FRACTIONAL ± 1/64 ANGULAR ± 1/2°	
DRAWN: RHuffstetter	DATE: 5/28/2002	CHECKED: KWhite	DATE: 5/28/2015
SCALE: 1 : 1	SHEET: 1 OF 1	RELEASED: HWomack	DATE: 5/28/2015
TITLE: 1/4" SIDE PORT, LEVER, 3 POS, DETENT, LOCKOUT POS. A, CLSD CTR SPL, W/LO23 HASP		PART NO.:	REV.:
		399V	

THE INFORMATION CONTAINED WITHIN THIS DOCUMENT IS PROPRIETARY TO AAA PRODUCTS AND MAY NOT BE DISCLOSED WITHOUT PRIOR WRITTEN CONSENT