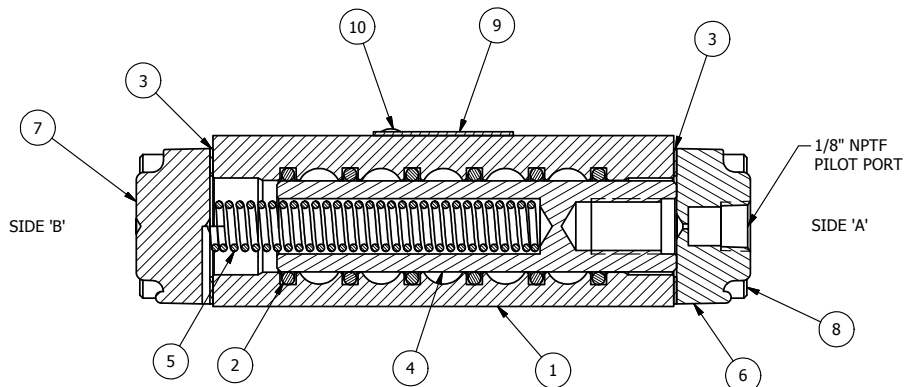



POSITION GASKET ON END OF VALVE SO MOUNTING HOLES ALIGN, BOTH ENDS (SIDE 'A' SHOWN)



SECTION A-A
SCALE 1 : 1
VIEW FROM 3 PORT SIDE

NOTES:
1) ALWAYS GIVE VALVE MODEL AND PART NUMBER WHEN ORDERING PARTS.

FLG	QTY	PART NO	DESCRIPTION
10	2	V-212	SCREW, #2 X 3/16 DRIVE, TYPE U, OVAL HEAD, 316 STAINLESS STEEL
9	1	AN-114	NAME PLATE, BLANK, FOR VALVES WITH SPRINGS OR DETENTS.
8	8	V-38-SS	SCREW, 10-24 X 3/4 SHCS, 18-8 SS
7	1	SEC3-3	END CAP, VENTED, 316 STAINLESS STEEL, 1/4" & 3/8" VALVES
6	1	PEC3-11	END CAP, PILOT, 316 STAINLESS STEEL, 1/4" & 3/8" VALVE
5	1	CS3	SPRING - RETURN, (EXCEPT HO, KO & PO) 1/4" & 3/8" VALVES
4	1	S3	SPOOL - STANDARD, 2 POS, CLSD CTR, 1/4" & 3/8" VALVE
3	2	ECG3	GASKET - END CAP, 1/4" & 3/8" VALVE
2	6	V-39	O-RING, STD BODY, VITON, 1/4" & 3/8" VALVES
1	1	B2-2E	BODY - SOLID, PLAIN, NO PILOTS, ANODIZED, 1/4" SIDE PORT VALVE
FLG	QTY	PART NO	DESCRIPTION

LIMITS ON DIMENSIONS UNLESS OTHERWISE SPECIFIED		2-PL DECIMAL ± .01 3-PL DECIMAL ± .005 FRACTIONAL ± 1/64 ANGULAR ± 1/2°		 AAA PRODUCTS INTERNATIONAL 7114 Harry Hines Blvd Dallas, TX 75235
DRAWN: RHuffstetter		DATE: 11/29/2001		
SCALE: 1 : 1		SHEET: 1 OF 1		CHECKED: KWaite DATE: 5/27/2015 RELEASED: HWomack DATE: 5/27/2015
TITLE: 1/4" SIDE PORT, SNGL PILOT, 2 POS, SPRING RTRN, PILOT SHFT, SS ENDCAPS & HDWR			PART NO.: 393V	REV.: A

A	NO.	DATE	REVISION
1	1/4/2013	CHANGED SCREWS FROM V-500 TO V-38-SS.	

THE INFORMATION CONTAINED WITHIN THIS DOCUMENT IS PROPRIETARY TO AAA PRODUCTS AND MAY NOT BE DISCLOSED WITHOUT PRIOR WRITTEN CONSENT

P:\Engineering\Inventory Files\Internal Drawings\Valves Assembly\Pilot Special\393V.dwg