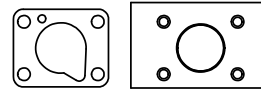
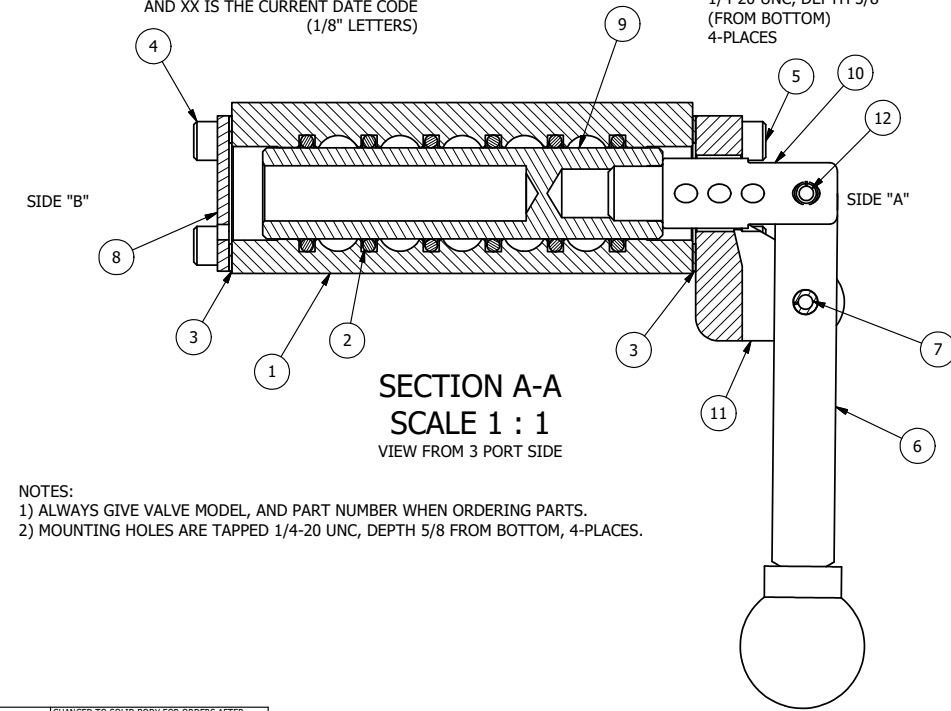
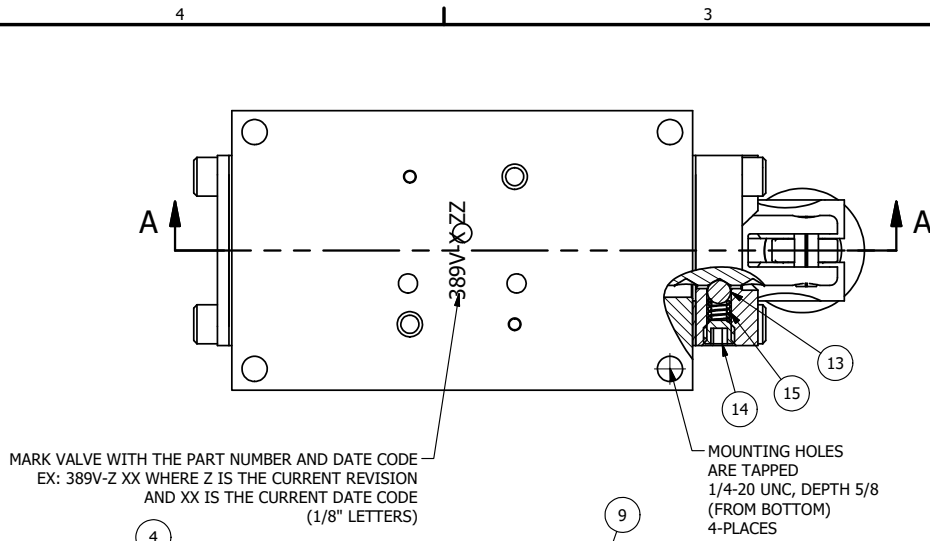


NO CHANGES TO PRINT MAY OCCUR  
WITHOUT CUSTOMER APPROVAL



POSITION GASKET ON END OF VALVE SO  
MOUNTING HOLES ALIGN BOTH ENDS

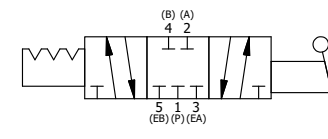
GREEN GREASE  
GREEN O-RINGS



NOTES:  
1) ALWAYS GIVE VALVE MODEL, AND PART NUMBER WHEN ORDERING PARTS.  
2) MOUNTING HOLES ARE TAPPED 1/4-20 UNC, DEPTH 5/8 FROM BOTTOM, 4-PLACES.

FLG	QTY	PART NO	DESCRIPTION
15	1	DS3	SPRING - DETENT, 1/4" & 3/8" VALVE
14	1	V-21	SCREW, 1/4-20 X 3/16 SOCKET SET (CUP POINT)
13	1	V-14	BALL, CHROME STEEL 3/16 DIA, GRADE 25, FOR DETENT
12	1	V-48	PIN, ROLL 3/16 X 9/16 ZINC PLATED STEEL FOR 1/4 HAND & FOOT CLEVIS
11	1	HE3-3	END CAP, LEVER, 380 AL, 1/4" & 3/8" VALVE
10	1	HC3-3	CLEVIS - 3 POS. DETENT, 1/4" & 3/8" VALVE
9	1	S3	SPOOL - STANDARD, 2 POS, CLSD CTR, 1/4" & 3/8" VALVE
8	1	SEC3	END CAP, STEEL, ZINC PLT, 1/4" & 3/8" VALVE
7	1	V-7	PIN, ROLL 3/16 X 11/16 FOR 1/4 THRU 1/2" HAND, FT. & CAM V
6	1	HL3-24	HAND LEVER WITH KNOB, 1/4" & 3/8" VALVE
5	4	V-38	SCREW, 10-24 X 3/4 SHCS, FOR 3/8" CAST END CAP
4	4	V-37	SCREW, 10-24 X 1/2 SHCS, FOR 1/8" STEEL END CAPS
3	2	ECG3	GASKET - END CAP, 1/4" & 3/8" VALVE
2	6	V-39	O-RING, STD BODY, VITON, 1/4" & 3/8" VALVES
1	1	B2-2E-TM-LP	BODY - SOLID, PLAIN, NO PILOTS, 1/4-20 MNTG HOLES, LESS PLATE, 1/4" SIDE PORT VALVE

LIMITS ON DIMENSIONS UNLESS OTHERWISE SPECIFIED		2-PL DECIMAL ± .01 3-PL DECIMAL ± .005 FRACTIONAL ± 1/64 ANGULAR ± 1/2°		<p><b>AAA PRODUCTS INTERNATIONAL</b> 7114 Harry Hines Blvd Dallas, TX 75235</p>
DRAWN: RHuffstetter	DATE: 9/4/2001	CHECKED: KWaite	DATE: 5/28/2015	
SCALE: 1 : 1	SHEET: 1 OF 1	RELEASED: HWomack	DATE: 5/28/2015	
TITLE: <b>3-POS DETENT HAND LEVER, HENNESSY P/N 8184167, 1/4" VALVE</b>			PART NO.: <b>389V</b>	REV.: <b>A</b>



NO.	DATE	REVISION
A	2/1/2014	CHANGED TO SOLID BODY FOR ORDERS AFTER 2/1/2014.

THE INFORMATION CONTAINED WITHIN THIS DOCUMENT IS PROPRIETARY TO AAA PRODUCTS AND MAY NOT BE DISCLOSED WITHOUT PRIOR WRITTEN CONSENT

P:\Engineering\Inventory Files\Internal Drawings\Valves Assembly\Level\Special\389V.dwg