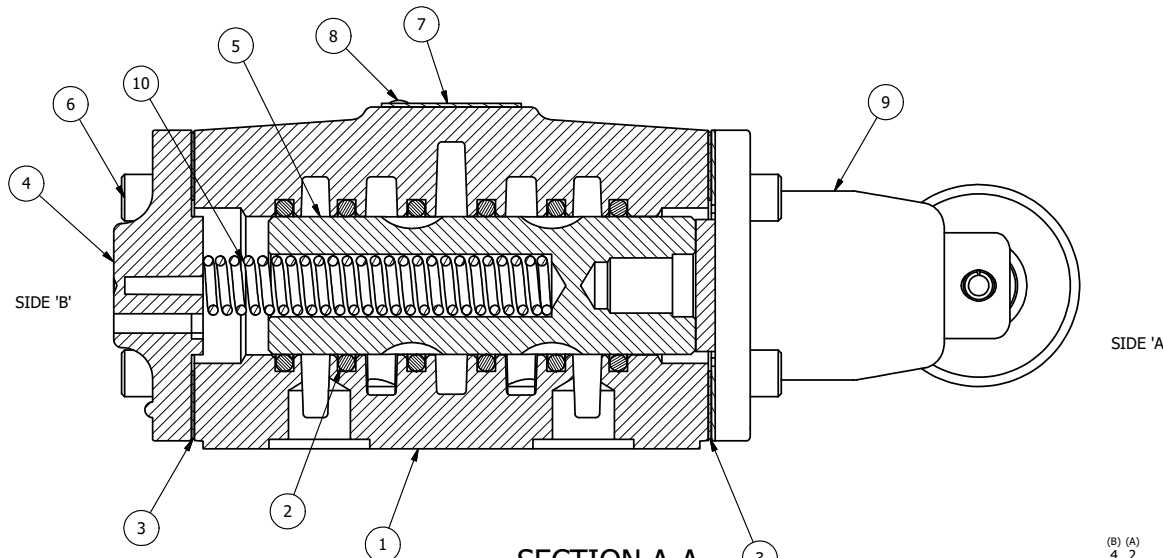


POSITION GASKET ON END OF VALVE SO GASKET COVERS PILOT HOLE, BOTH SIDES (SIDE 'A' SHOWN)

NOTES:

- 1) ALWAYS GIVE VALVE MODEL AND PART NUMBER WHEN ORDERING PARTS.
- 2) SEE AY-C353V ASSEMBLY PRINT FOR CAM OPERATOR PARTS DETAIL.



SECTION A-A
SCALE 1
VIEW FROM 3 PORT SIDE

FLG	QTY	PART NO	DESCRIPTION
11	1	SPK-4	KIT - SUBPLATE MOUNT, 1/2" SUBPLATE VALVES
10	1	CS4	SPRING - RETURN, 1/2" VALVES
9	1	AY-C353V	ASSY - CAM OPERATOR, WIPER, 1/2", 3/4" & 1" VALVES
8	2	V-212	SCREW, #2 X 3/16 DRIVE, TYPE U, OVAL HEAD, 316 STAINLESS STEEL
7	1	AN-114	NAME PLATE, BLANK, FOR VALVES WITH SPRINGS OR DETENTS.
6	8	V-46	SCREW, 1/4-20 X 3/4 SHCS, HOLDS E.C TO 1/2-1" VALVES
5	1	S4	SPOOL - STANDARD, 2 POS, CLSD CTR, 1/2" VALVE
4	1	PEC48-3	END CAP, VENTED, 380 AL, 1/2", 3/4" & 1" VALVES
3	2	ECG48	GASKET - END CAP, 1/2", 3/4" & 1" VALVE
2	6	V-6	O-RING, 1 1/8 X 1 3/8 X 1/8, BUNA-N, N100/70, 70D, AS568A-216, 1/2" VALVES
1	1	BP4-1	BODY, 1/2" SUBPLATE, UPPER PILOTS, ANODIZED

LIMITS ON DIMENSIONS UNLESS OTHERWISE SPECIFIED		2-PL DECIMAL ± .01 3-PL DECIMAL ± .005 FRACTIONAL ± 1/64 ANGULAR ± 1/2°		AAA PRODUCTS INTERNATIONAL 7114 Harry Hines Blvd Dallas, TX 75235
DRAWN: RHuffstetter	DATE: 9/16/1999	CHECKED: KWaite	DATE: 5/27/2015	
SCALE: 3/4	SHEET: 1 OF 1	RELEASED: HWomack	DATE: 5/27/2015	
TITLE: 1/2" SUBPLATE, CAM, 2 POS, SPRING RTRN, LG CAM W/WIPER			PART NO.: 353V	REV.:

