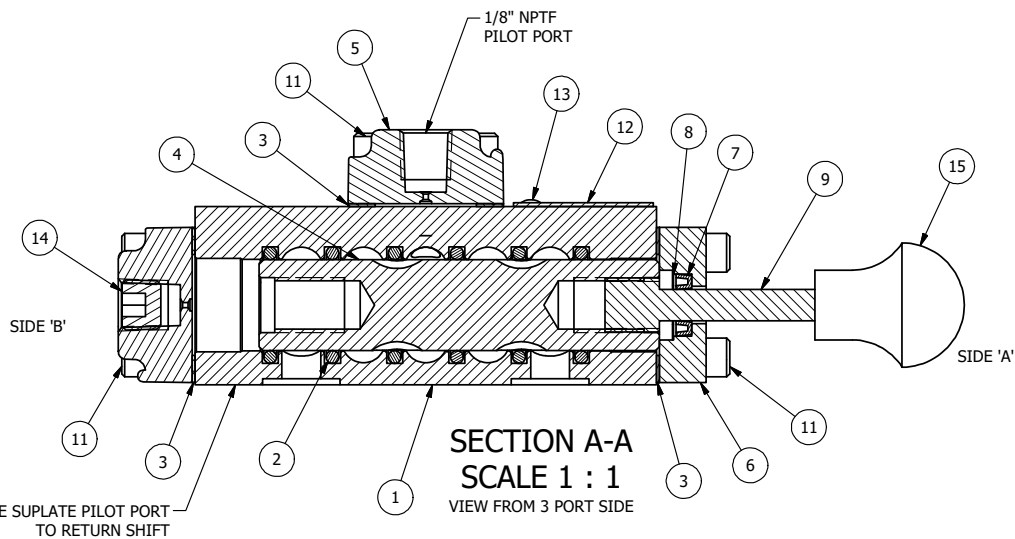
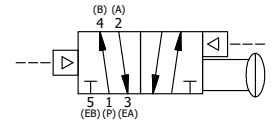


NOTES:  
 1) ALWAYS GIVE VALVE MODEL AND PART NUMBER WHEN ORDERING PARTS.  
 2) INSTALL PLUG BELOW FLUSH.



FLG	QTY	PART NO	DESCRIPTION
15	1	V-570	KNOB, BLACK (BRASS 1/4-20 INSERT), OS OPTION
14	1	V-19	PLUG, SOCKET PIPE 1/8" NPT (#601-3 PITTSBURG PLUG PART #.)
13	2	V-212	SCREW, 2 X 3/16, DRIVE, TYPE U, OVAL HEAD, 316 SS
12	1	AN-115	BLANK NAMEPLATE FOR HE, KE, KD, RR, D, CR, PP, SR, SS VALVES.
11	12	V-38	SCREW, 10-24 X 3/4, SOCKET HEAD CAP
10	1	V-231	PLUG, SOCKET PRESSURE 1/16-27X 7/8 TAPER FOR 122V, 192V, FOR EC
9	1	PIK3	PIN, SPOOL OVERRIDE, 303 STAINLESS, 1/4" & 3/8" VALVES
8	1	V-119	RING, CIRCULAR PUSH ON TYPE FOR INDICATOR PIN
7	1	V-78	U-CUP, NITRILE, 1/2 X 1/4 X 1/8
6	1	PEC3-5	END CAP, INDICATOR PIN, WIPER CAVITY, 6061-T6, 1/4" & 3/8" VALVE
5	2	PEC3	END CAP, PILOT, 380 AL, 1/4" & 3/8" VALVE
4	1	S3R	SPOOL - SOLID, STANDARD, 2 POS, CLSD CTR, 1/4" & 3/8" VALVE
3	3	ECG3	GASKET - END CAP, 1/4" & 3/8" VALVE
2	6	V-39	O-RING, STD BODY, VITON, 1/4" & 3/8" VALVES
1	1	BP3-8EZ-NT	BODY - SOLID, PGY BCK, LWR PLTS, EXT PILOT, NAME TAG HOLES, 3/8" SUBPLATE VALVE

LIMITS ON DIMENSIONS UNLESS OTHERWISE SPECIFIED		2-PL DECIMAL ± .01 3-PL DECIMAL ± .005 FRACTIONAL ± 1/64 ANGULAR ± 1/2°		<b>AAA PRODUCTS INTERNATIONAL</b> 7114 Harry Hines Blvd Dallas, TX 75235
DRAWN: RMckenna	DATE: 2/22/2006	CHECKED: KWaitte	DATE: 5/27/2015	
SCALE: 1 : 1	SHEET: 1 OF 1	RELEASED: HWomack	DATE: 5/27/2015	
TITLE: <b>3/8" SUBPLATE, DBL PILOT, 2 POS, FRICTION POS, PILOT RTRN, SPOOL INDICATOR</b>		PART NO.:	313V	REV.:



THE INFORMATION CONTAINED WITHIN THIS DOCUMENT IS PROPRIETARY TO AAA PRODUCTS AND MAY NOT BE DISCLOSED WITHOUT PRIOR WRITTEN CONSENT

D:\Engineering\Inventor Files\Internal Drawings\Valves\Assembly\PIlot\Special\313V.dwg