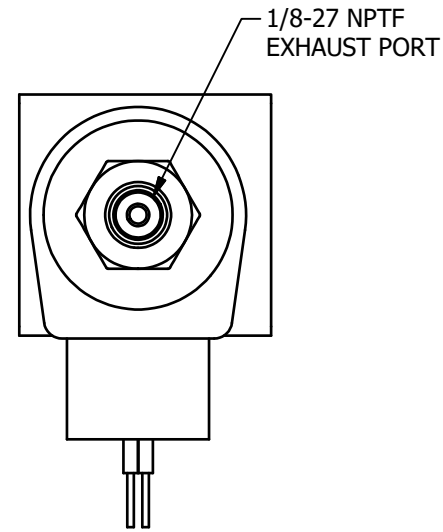
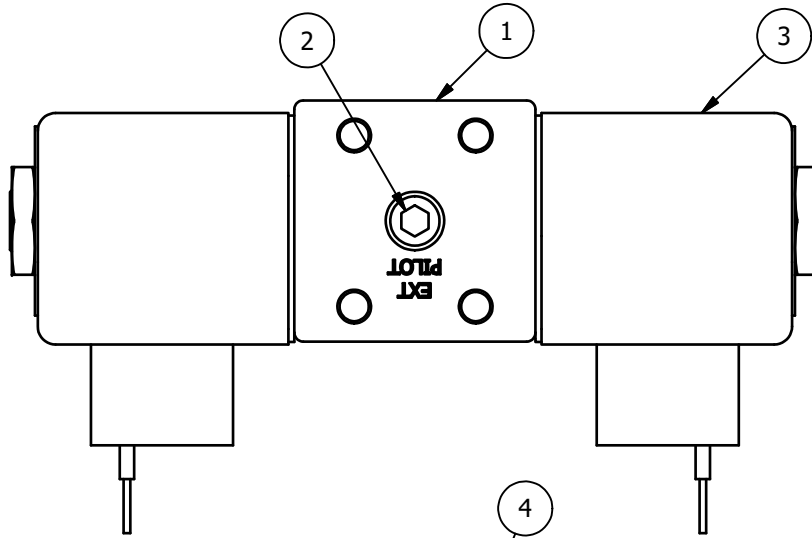
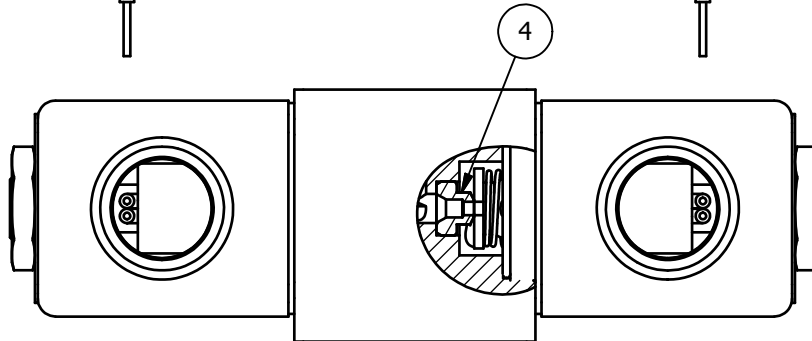


2

1

1/8-27 NPTF  
EXHAUST PORT

4	2	V-275	ORIFICE 3/32" OPENING FOR LOW PRESSURE OPERATOR
3	2	AY-38T-11	CLASSIC SOLENOID - STANDARD, COMPLETE OPER, TAPPED EXH., 120/60
2	1	V-19	PLUG, SOCKET PIPE 1/8" NPT (#601-3 PITTSBURG PLUG PART #.)
1	1	PB3-2E-LO-LP	ADAPTOR - DOUBLE SOLENOID, NO ORIFICE, NO PLATING, 1/4" & 3/8" VALVES
FLG	QTY	PART NO	DESCRIPTION

LIMITS ON DIMENSIONS  
UNLESS  
OTHERWISE SPECIFIED2-PL DECIMAL ± .01  
3-PL DECIMAL ± .005  
FRACTIONAL ± 1/64  
ANGULAR ± 1/2°
**AAA PRODUCTS  
INTERNATIONAL**  
7114 Harry Hines Blvd  
Dallas, TX 75235

DRAWN: RMckenna

DATE: 2/12/2017

CHECKED: KWaite

DATE: 2/12/2017

SCALE: None

SHEET: 1 OF 1

RELEASED: HWomack

DATE: 2/12/2017

TITLE:

**ASSY - DBL SOL, 120/60,  
PIGGY BACK, TAPPED EXHAUST,  
3/32" ORIFICE, 1/4" & 3/8" VALVE**

PART NO.:

309V

REV.:

## OPERATOR VOLTAGES

PART NO	REPLACE OPERATOR
309V 240/60	AY-38T-17
309V 24VDC	AY-38T-8
309V 12VDC	AY-38T-5

2

4

THE INFORMATION CONTAINED WITHIN THIS DOCUMENT IS PROPRIETARY TO AAA PRODUCTS AND MAY NOT BE DISCLOSED WITHOUT PRIOR WRITTEN CONSENT