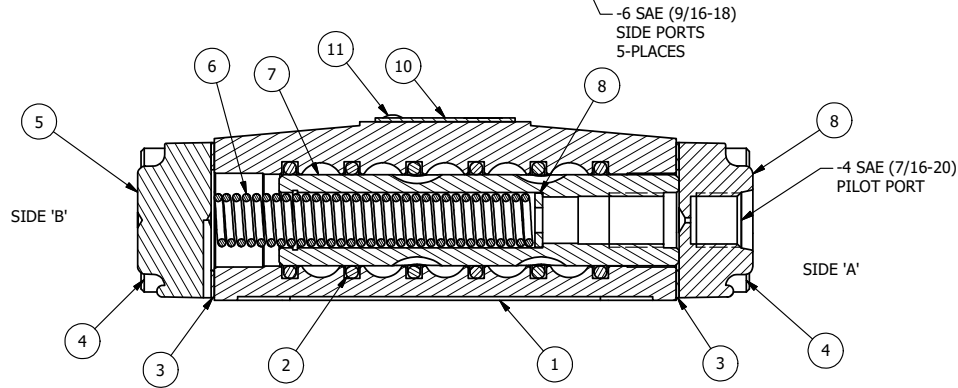


POSITION GASKET ON END OF VALVE SO MOUNTING HOLES ALIGN, BOTH ENDS (SIDE 'A' SHOWN)



SECTION A-A  
SCALE 1 : 1  
VIEW FROM 3 PORT SIDE

NOTES:  
1) ALWAYS GIVE VALVE MODEL AND PART NUMBER WHEN ORDERING PARTS.

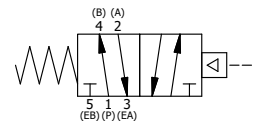
FLG	QTY	PART NO	DESCRIPTION
11	2	V-212	SCREW, #2 X 3/16 DRIVE, TYPE U, OVAL HEAD, STAINLESS STEEL
10	1	AN-106	NAMEPLATE, BLANK, STAINLESS STEEL
8	1	PEC3-307V	END CAP, PILOT, -4 SAE (7/16-20), STAINLESS STEEL, 1/4" & 3/8" VALVE
8	1	V-43	WASHER - SPRING CTR, 302/304 STAINLESS STEEL, 1/4" & 3/8" VALVES
7	1	SSH3-SS	SPOOL - STANDARD, 2 POS, CLSD CTR, STAINLESS, 1/4" & 3/8" VALVE
6	1	CS3-5	SPRING - RETURN, STAINLESS, 1/4" & 3/8" VALVES
5	1	SEC3-3	END CAP, VENTED, STAINLESS STEEL, 1/4" & 3/8" VALVES
4	8	V-500	SCREW, 10-24 X 3/4, SOCKET HEAD CAP, STAINLESS
3	2	ECG3	GASKET - END CAP, 1/4" & 3/8" VALVE
2	6	V-39	O-RING, VITON, STD BODY, 1/4" & 3/8" VALVES
1	1	B3-307V-SS	BODY - STAINLESS STEEL, PLAIN, NO PILOTS, -6 SAE (9/16-18) SIDE PORT VALVE

LIMITS ON DIMENSIONS  
UNLESS OTHERWISE SPECIFIED  
2-PL DECIMAL ± .01  
3-PL DECIMAL ± .005  
FRACTIONAL ± 1/64  
ANGULAR ± 1/2°



DRAWN: RMckenna DATE: 2/12/2017 CHECKED: KWaite DATE: 2/12/2017  
SCALE: 1 : 1 SHEET: 1 OF 1 RELEASED: HWomack DATE: 2/12/2017

TITLE: <b>-6 SAE (9/16-18) SIDE PORT, SNGL PILOT, 2 POS, SPR RTRN, -4 SAE (7/16-20) PILOT, STAINLESS</b>	PART NO.: <b>307V</b>	REV.: <b>A</b>
---------------------------------------------------------------------------------------------------------------------	--------------------------	-------------------



A	NO.	DATE	REVISION
	8	8/19/2020	REPLACED S3-SS WITH SSH3-SS, ADDED V-43.

THE INFORMATION CONTAINED WITHIN THIS DOCUMENT IS PROPRIETARY TO AAA PRODUCTS AND MAY NOT BE DISCLOSED WITHOUT PRIOR WRITTEN CONSENT