

4

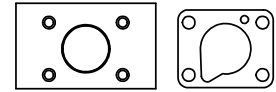
3

2

1

SEE NOTE 2  
2-PLACES  
(BOTH SIDES)

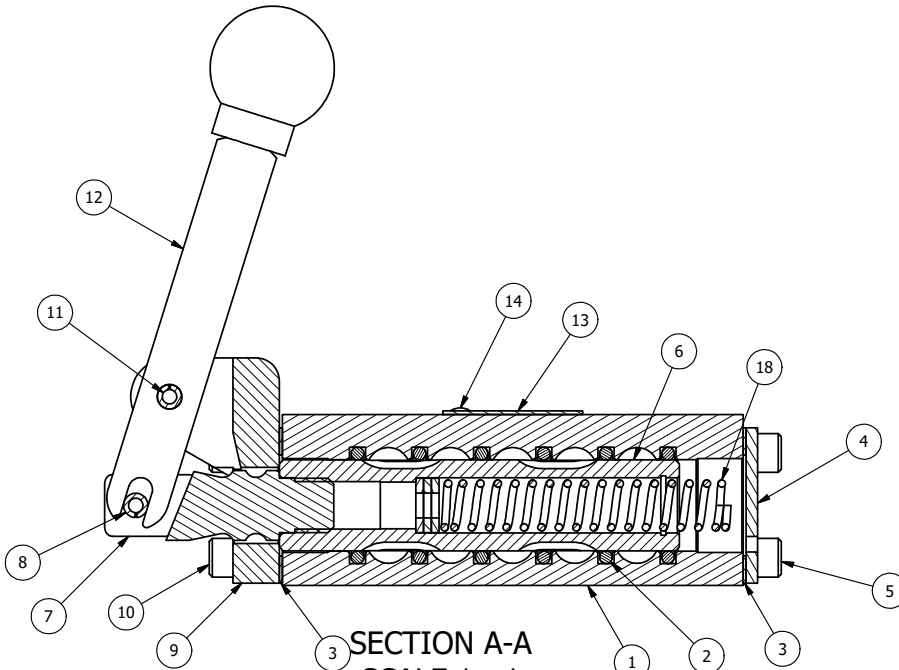
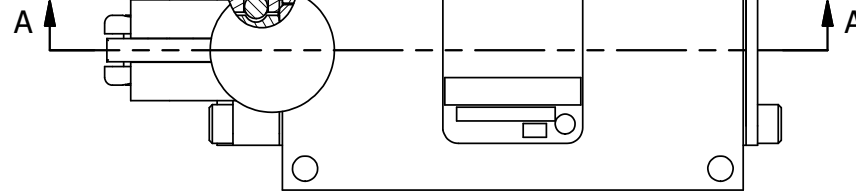
17  
16  
15



POSITION GASKET ON END OF VALVE SO  
MOUNTING HOLES ALIGN  
BOTH ENDS (SIDE 'A' SHOWN)

NOTES:

- 1) ALWAYS GIVE VALVE MODEL, AND PART NUMBER WHEN ORDERING PARTS.
- 2) LUBRICATE DETENT BALL, SPRING AND CLEVIS.



SECTION A-A  
SCALE 1 : 1  
VIEW FROM 3 PORT SIDE

19	3	V-43	WASHER - SPRING CTR, 302/304 STAINLESS STEEL, 1/4" & 3/8" VALVES
18	1	CS3-1	SPRING - CENTERING, 1/4" & 3/8" VALVES
17	2	V-21	SCREW, 1/4-20 X 3/16 SOCKET SET (CUP POINT)
16	2	DS3	SPRING - DETENT, 1/4" & 3/8" VALVE
15	2	V-14	BALL, CHROME STEEL 3/16 DIA, GRADE 25, FOR DETENT
14	2	V-212	SCREW, #2 X 3/16 DRIVE, TYPE U, OVAL HEAD, 316 STAINLESS STEEL
13	1	AN-114	NAME PLATE, BLANK, FOR VALVES WITH SPRINGS OR DETENTS.
12	1	HL3-24	HAND LEVER WITH KNOB, 1/4" & 3/8" VALVE
11	1	V-7	PIN, ROLL 3/16 X 11/16 FOR 1/4 THRU 1/2" HAND, FT. & CAM V
10	4	V-38	SCREW, 10-24 X 3/4 SHCS, FOR 3/8" CAST END CAP
9	1	HE3-3DD	END CAP, LEVER, DOUBLE DETENT, 380 AL, 1/4" & 3/8" VALVE
8	1	V-48	PIN, ROLL 3/16 X 9/16 ZINC PLATED STEEL FOR 1/4 HAND & FOOT CLEVIS
7	1	HC3-189	CLEVIS - HAND, 189VY ACTION, 1/4" & 3/8" VALVE
6	1	SSH3G	SPOOL - 'G', 3 POS, FLOAT CTR, 1/4" & 3/8" VALVE
5	4	V-37	SCREW, 10-24 X 1/2 SHCS, FOR 1/8" STEEL END CAPS
4	1	SEC3	END CAP, STEEL, ZINC PLT, 1/4" & 3/8" VALVE
3	2	ECG3	GASKET - END CAP, 1/4" & 3/8" VALVE
2	6	V-39	O-RING, STD BODY, VITON, 1/4" & 3/8" VALVES
1	1	B3-2E	BODY - SOLID, PLAIN, NO PILOTS, ANODIZED, 3/8" SIDE PORT VALVE
FLG	QTY	PART NO	DESCRIPTION

LIMITS ON DIMENSIONS  
UNLESS  
OTHERWISE SPECIFIED

2-PL DECIMAL ± .01  
3-PL DECIMAL ± .005  
FRACTIONAL ± 1/64  
ANGULAR ± 1/2°

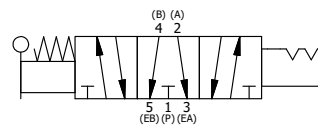


DRAWN: RMcKenna DATE: 5/25/2016  
SCALE: 1 : 1 SHEET: 1 OF 1

CHECKED: KWaiter DATE: 5/25/2016  
RELEASED: HWomack DATE: 5/25/2016

TITLE:  
3/8" SIDE PORT, LEVER, 3 POS,  
DETENT A, SPR CTR FROM C,  
FLOAT CTR, RVRS BUILD (WH3G)

PART NO.:  
303VYG  
REV.:



4

3

2