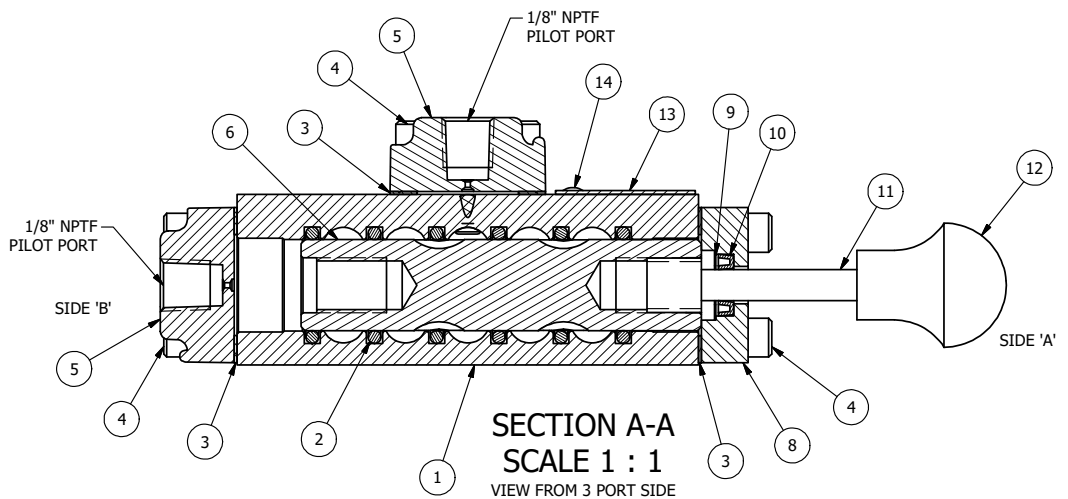


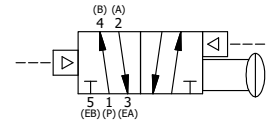
NOTES:
 1) ALWAYS GIVE VALVE MODEL AND PART NUMBER WHEN ORDERING PARTS.
 2) INSTALL PLUG BELOW FLUSH.



SECTION A-A
 SCALE 1 : 1
 VIEW FROM 3 PORT SIDE

| | | | |
|-----|-----|-----------|---|
| 14 | 2 | V-212 | SCREW, 2 X 3/16, DRIVE, TYPE U, OVAL HEAD, 316 SS |
| 13 | 1 | AN-115 | BLANK NAMEPLATE FOR HE,KE,KD,RR,D,CR,PP,SR,SS VALVES. |
| 12 | 1 | V-570 | KNOB,BLACK (BRASS 1/4-20 INSERT), OS OPTION |
| 11 | 1 | PIK3 | PIN, SPOOL OVERRIDE, 303 STAINLESS, 1/4" & 3/8" VALVES |
| 10 | 1 | V-78 | U-CUP, NITRILE, 1/2 X 1/4 X 1/8 |
| 9 | 1 | V-119 | RING,CIRCULAR PUSH ON TYPE FOR INDICATOR PIN |
| 8 | 1 | PEC3-5 | END CAP, INDICATOR PIN, WIPER CAVITY, 6061-T6, 1/4" & 3/8" VALVE |
| 7 | 1 | V-231 | PLUG, SOCKET PRESSURE 1/16-27X 7/8 TAPER FOR 122V,192V, FOR EC |
| 6 | 1 | S3R | SPOOL - SOLID, STANDARD, 2 POS, CLSD CTR, 1/4" & 3/8" VALVE |
| 5 | 2 | PEC3 | END CAP, PILOT, 380 AL, 1/4" & 3/8" VALVE |
| 4 | 12 | V-38 | SCREW, 10-24 X 3/4, SOCKET HEAD CAP |
| 3 | 3 | ECG3 | GASKET - END CAP, 1/4" & 3/8" VALVE |
| 2 | 6 | V-39 | O-RING, STD BODY, VITON, 1/4" & 3/8" VALVES |
| 1 | 1 | B3-6EZ-NT | BODY - SOLID, PIGGY BACK, EXT PILOT, TOP NAMETAG HOLES, 3/8" SIDE PORT VALVES |
| FLG | QTY | PART NO | DESCRIPTION |

| | | | | |
|---|----------------|--|----------------|--|
| LIMITS ON DIMENSIONS UNLESS OTHERWISE SPECIFIED | | 2-PL DECIMAL ± .01 3-PL DECIMAL ± .005 FRACTIONAL ± 1/64 ANGULAR ± 1/2° | | AAA PRODUCTS INTERNATIONAL 7114 Harry Hines Blvd Dallas, TX 75235 |
| DRAWN: RMcKenna | DATE: 3/8/2017 | CHECKED: KWaitte | DATE: 3/8/2017 | |
| SCALE: 1 : 1 | SHEET: 1 OF 1 | RELEASED: HWomack | DATE: 3/8/2017 | |
| TITLE: 3/8" SIDE PORT, DBL PILOT, 2 POS, FRICTION POS, PILOT RTRN, SPOOL OVRD | | PART NO.: | 298V | REV.: |



THE INFORMATION CONTAINED WITHIN THIS DOCUMENT IS PROPRIETARY TO AAA PRODUCTS AND MAY NOT BE DISCLOSED WITHOUT PRIOR WRITTEN CONSENT

D:\Engineering\Inventor Files\Internal Drawings\Valves\Assembly\PILOT\Special\298V.dwg