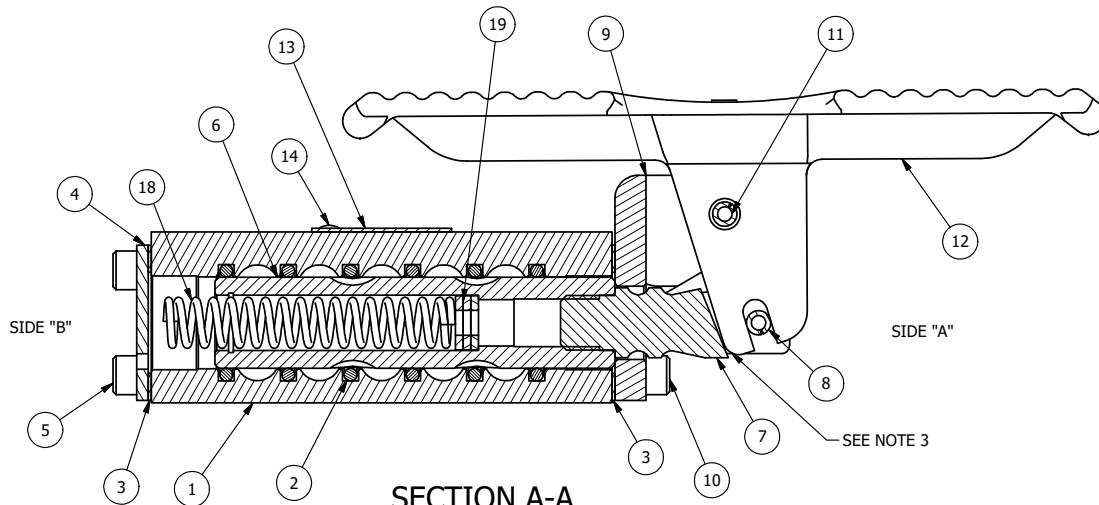


POSITION GASKET ON END OF VALVE SO MOUNTING HOLES ALIGN, BOTH ENDS (SIDE 'A' SHOWN)



SECTION A-A
SCALE 1 : 1

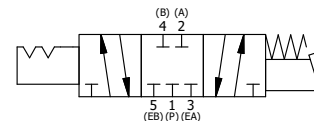
VIEW FROM 3 PORT SIDE

NOTES:

- 1) ALWAYS GIVE VALVE MODEL, AND PART NUMBER WHEN ORDERING PARTS.
- 2) LUBRICATE DETENT BALL, SPRING AND CLEVIS.
- 3) RADIUS TREADLE FOR CLEARANCE.

19	3	V-43	WASHER - SPRING CTR, 302/304 STAINLESS STEEL, 1/4" & 3/8" VALVES
18	1	CS3-1	SPRING - CENTERING, 1/4" & 3/8" VALVES
17	2	V-21	SCREW, 1/4-20 X 3/16 SOCKET SET (CUP POINT)
16	2	DS3	SPRING - DETENT, 1/4" & 3/8" VALVE
15	2	V-14	BALL, CHROME STEEL 3/16 DIA, GRADE 25, FOR DETENT
14	2	V-212	SCREW, #2 X 3/16 DRIVE, TYPE U, OVAL HEAD, 316 STAINLESS STEEL
13	1	AN-114	NAME PLATE, BLANK, FOR VALVES WITH SPRINGS OR DETENTS.
12	1	FT3	TREADLE, FOOT, IRON, NICKEL PLT, 1/4" & 3/8" VALVE
11	1	V-508	PIN, ROLL 3/16 X 5/8 ZINC PLATED STEEL FOR 1/4 FOOT ENDCAP
10	4	V-162	SCREW, 10-24 X 5/8 SHCS CAP R2H VALVE & JIFFY WIPER
9	1	FE3-3DD	END CAP, FOOT PEDAL, DBL DETENT, 303 STAINLESS, 1/4" & 3/8" VALVE
8	1	V-48	PIN, ROLL 3/16 X 9/16 ZINC PLATED STEEL FOR 1/4 HAND & FOOT CLEVIS
7	1	HC3-189	CLEVIS - HAND, 189VY ACTION, 1/4" & 3/8" VALVE
6	1	SSH3	SPOOL - STANDARD, 3 POS, CLSD CTR, 1/4" & 3/8" VALVE
5	4	V-37	SCREW, 10-24 X 1/2 SHCS, FOR 1/8" STEEL END CAPS
4	1	SEC3	END CAP, STEEL, ZINC PLT, 1/4" & 3/8" VALVE
3	2	ECG3	GASKET - END CAP, 1/4" & 3/8" VALVE
2	6	V-39	O-RING, STD BODY, VITON, 1/4" & 3/8" VALVES
1	1	B3-2E	BODY - SOLID, PLAIN, NO PILOTS, ANODIZED, 3/8" SIDE PORT VALVE
FLG	QTY	PART NO	DESCRIPTION

LIMITS ON DIMENSIONS UNLESS OTHERWISE SPECIFIED		2-PL DECIMAL ± .01 3-PL DECIMAL ± .005 FRACTIONAL ± 1/64 ANGULAR ± 1/2°		<p>AAA PRODUCTS INTERNATIONAL 7114 Harry Hines Blvd Dallas, TX 75235</p>
DRAWN: RMckenna	DATE: 5/20/2013	CHECKED: KWaite	DATE: 5/21/2013	
SCALE: 1 : 1	SHEET: 1 OF 1	RELEASED: HWomack	DATE: 5/21/2013	
TITLE: 3/8" SIDE PORT, TREADLE, 3 POS, DETENT C, SPR CTR FROM A, CLSD CTR SPL (TW3)			PART NO.: 293VY	REV.:



THE INFORMATION CONTAINED WITHIN THIS DOCUMENT IS PROPRIETARY TO AAA PRODUCTS AND MAY NOT BE DISCLOSED WITHOUT PRIOR WRITTEN CONSENT