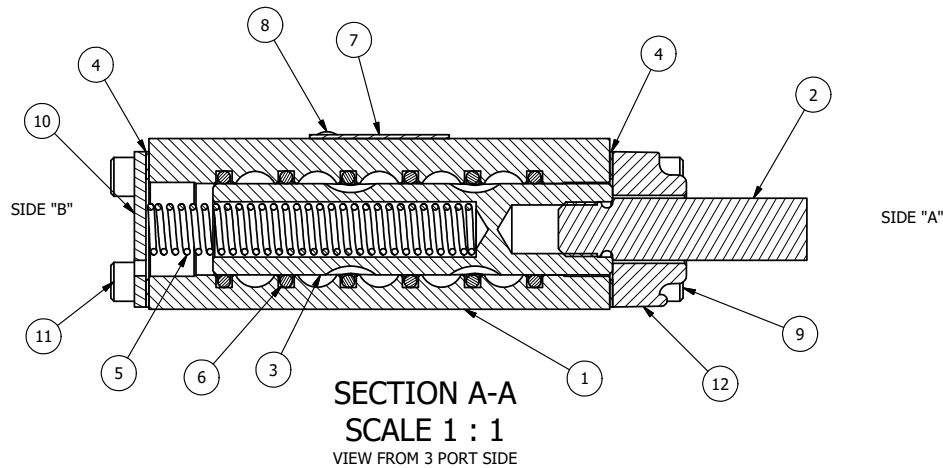


POSITION GASKET ON END OF VALVE SO MOUNTING HOLES ALIGN, BOTH ENDS (SIDE 'A' SHOWN)



NOTES:
1) ALWAYS GIVE VALVE MODEL, AND PART NUMBER WHEN ORDERING PARTS.

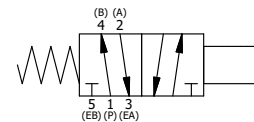
12	1	PEC3-10	END CAP, PALM, STAINLESS STEEL, 1/4" & 3/8" VALVE
11	4	V-37-SS	SCREW, 10-24 X 1/2, SOCKET HEAD CAP, 18-8 SS
10	1	SEC3	END CAP, 304 STAINLESS STEEL, 1/4" & 3/8" VALVE
9	4	V-38-SS	SCREW, 10-24 X 3/4, SOCKET HEAD CAP, 18-8 SS
8	2	V-212	SCREW, #2 X 3/16 DRIVE, TYPE U, OVAL HEAD, STAINLESS STEEL
7	1	AN-114	NAMEPLATE, BLANK, FOR VALVES WITH SPRINGS OR DETENTS
6	6	V-39	O-RING, VITON, STD BODY, 1/4" & 3/8" VALVES
5	1	CS3-2	SPRING - RETURN, (HO & KO) 1/4" & 3/8" VALVES
4	2	ECG3	GASKET - END CAP, 1/4" & 3/8" VALVE
3	1	S3	SPOOL - STANDARD, 2 POS, CLSD CTR, 1/4" & 3/8" VALVE
2	1	PBS3-251V	STUD - PALM LESS KNOB, 1/4" & 3/8" VALVE
1	1	B2-2E-TC	BODY - SOLID, PLAIN, NO PILOTS, TUFRAM, 1/4" SIDE PORT VALVE
FLG	QTY	PART NO	DESCRIPTION

LIMITS ON DIMENSIONS
UNLESS OTHERWISE SPECIFIED
2-PL DECIMAL ± .01
3-PL DECIMAL ± .005
FRACTIONAL ± 1/64
ANGULAR ± 1/2°



DRAWN: RMckenna DATE: 5/22/2013 CHECKED: KWaite DATE: 5/22/2013
SCALE: 1 : 1 SHEET: 1 OF 1 RELEASED: HWomack DATE: 5/22/2013

TITLE: 1/4" SIDE PORT, STUD, 2 POS, SPRING RTRN	PART NO.: 251V	REV.: A
-------------------------------------------------------	-------------------	------------



NO.	DATE	REVISION
A	12/13/2022	SEC3 CVRTD TO SS, CHNG SEC3-EN TO SEC-3.

THE INFORMATION CONTAINED WITHIN THIS DOCUMENT IS PROPRIETARY TO AAA PRODUCTS AND MAY NOT BE DISCLOSED WITHOUT PRIOR WRITTEN CONSENT