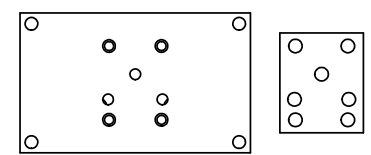
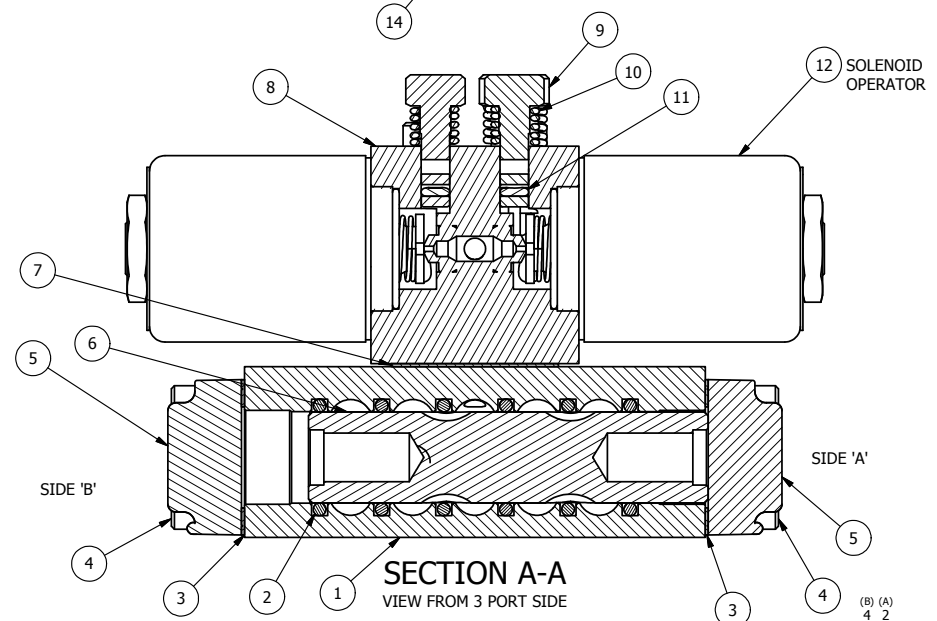


ALIGN PILOT HOLE AND CENTER CUTOUT ON BOTH SIDES.

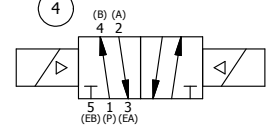


ALIGN HOLES IN GASKET AS SHOWN.
(FOR EXTERNAL PILOT PRESSURE, REMOVE PIGGY BACK BLOCK AND ROTATE 180°. LEAVE GASKET AS SHOWN. REMOVE 1/8" PLUG AND CONNECT SUPPLY PRESSURE - 160 PSI MAX.)

- NOTES:
- 1) ALWAYS GIVE VALVE MODEL AND PART NUMBER WHEN ORDERING PARTS.
 - 2) REFERENCE AY-38 DRAWING FOR REPLACEMENT COILS.
 - 3) VALVE BODY HAD 9/16-18 UNF THREAD IN INLET, 2 AND 4 PORTS AND STANDARD 3/8 NPTF EXHAUST PORTS.
 - 4) SOLENOID IS 28VDC WITH 48" LEADS.
 - 5) MANUAL OVERRIDE IS AUTOMATIC SPRING RETURN WITH A LEVER.



SECTION A-A
VIEW FROM 3 PORT SIDE



FLG	QTY	PART NO	DESCRIPTION
17	2	V-212	SCREW, #2 X 3/16 DRIVE, TYPE U, OVAL HEAD, 316 STAINLESS STEEL
16	1	AN-115	BLANK NAMEPLATE FOR HE,KE,KD,RR,D,CR,PP,SR,SS VALVES.
15	2	V-81	SCREW, 8-32 X 5/16 SOCKET SET, FULL DOG PT. - MAN.OVER. IN ADAPTOR
14	1	V-19	PLUG, SOCKET PIPE 1/8" NPT (#601-3 PITTSBURG PLUG PART #.)
13	4	V-1	SCREW, 10-24 X 2 SHCS FOR SOL. ADAPTOR TO BODY
12	2	AY-38-9	CLASSIC SOLENOID - STANDARD, COMPLETE OPERATOR, 28 VDC, 48" LEADS
11	2	V-85	O-RING, 2-010, 1/4 X 3/8 X 1/16 BUNA-N 70 D. FOR MAN.OVER.ASS.
10	2	OS3W	SPRING - OVERRIDE RETURN, "CLASSIC" SOLENOID
9	2	OP3-W	OVERRIDE PIN - SPRING RETURN, 1/4" & 3/8" VALVE
8	1	PB3-4EW	ADAPTOR - DBL SOL., NON-LOCKING OVERRIDE, 1/4" & 3/8" VALVE
7	1	PBG3	GASKET - PIGGY BACK, DOUBLE SOLENOID, 1/4" & 3/8" VALVE
6	1	S3R	SPOOL - SOLID, STANDARD, 2 POS, CLSD CTR, 1/4" & 3/8" VALVE
5	2	SEC3-1	END CAP, NON-VENTED, 380 AL, 1/4" & 3/8" VALVES
4	8	V-38	SCREW, 10-24 X 3/4 SHCS, FOR 3/8" CAST END CAP
3	2	ECG3	GASKET - END CAP, 1/4" & 3/8" VALVE
2	6	V-39	O-RING, STD BODY, VITON, 1/4" & 3/8" VALVES
1	1	B3-232V	BODY - SOLID, PIGGY BACK, ANODIZED, 9/16-18 PORTS, 3/8" EXHAUST

LIMITS ON DIMENSIONS UNLESS OTHERWISE SPECIFIED		2-PL DECIMAL ± .01 3-PL DECIMAL ± .005 FRACTIONAL ± 1/64 ANGULAR ± 1/2°		AAA PRODUCTS INTERNATIONAL 7114 Harry Hines Blvd Dallas, TX 75235
DRAWN: RHuffstetter	DATE: 11/6/1998	CHECKED: KWaite	DATE: 7/23/2015	
SCALE: 1 : 1	SHEET: 1 OF 1	RELEASED: HWomack	DATE: 7/23/2015	
TITLE: 9/16-18 SIDE PORT, DBL SOL, 2 POS, FRICTION POS, NONLCKNG OVRD, CLASSIC SOL, 28VDC			PART NO.: 232V	REV.: A

A	NO.	DATE	REVISION
	1	11/6/98	REDRAWN AND CONV TO CAD

THE INFORMATION CONTAINED WITHIN THIS DOCUMENT IS PROPRIETARY TO AAA PRODUCTS AND MAY NOT BE DISCLOSED WITHOUT PRIOR WRITTEN CONSENT

P:\Engineering\Inventory Files\Internal Drawings\Valves Assembly\Classic\Special\232V.dwg