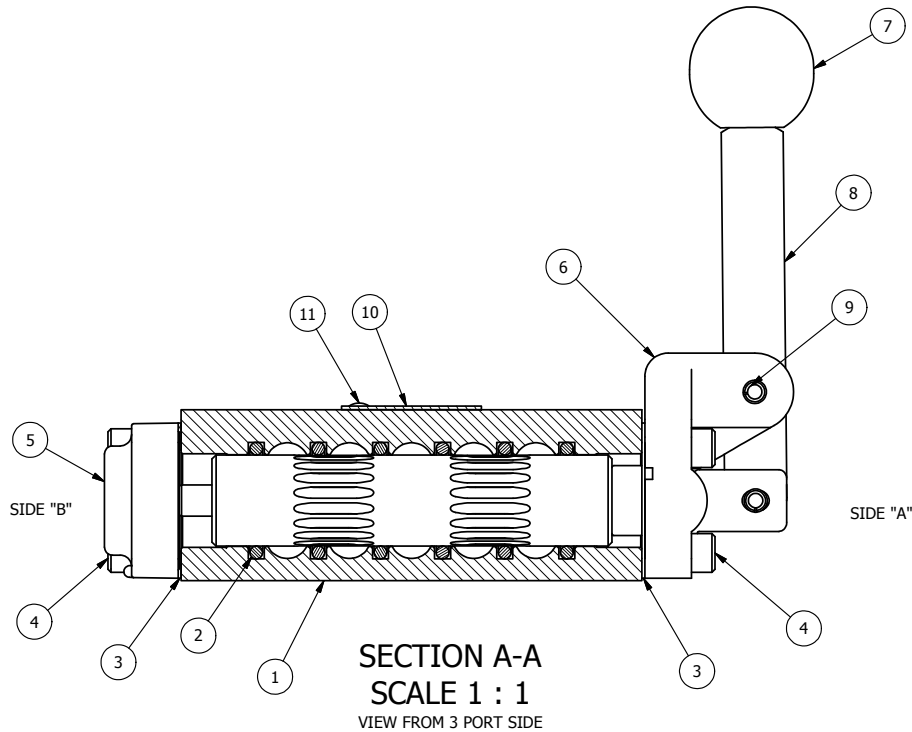



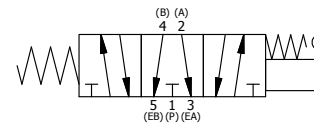
POSITION GASKET ON END OF VALVE SO
MOUNTING HOLES ALIGN
BOTH ENDS (SIDE 'B' SHOWN)

NOTES:
1) ALWAYS GIVE VALVE MODEL, AND PART NUMBER WHEN ORDERING PARTS.



FLG	QTY	PART NO	DESCRIPTION
11	2	V-212	SCREW, #2 X 3/16 DRIVE, TYPE U, OVAL HEAD, 316 STAINLESS STEEL
10	1	AN-114	NAME PLATE, BLANK, FOR VALVES WITH SPRINGS OR DETENTS.
9	1	V-7-SS	PIN, ROLL 3/16 X 11/16 18-8 STAINLESS STEEL.
8	1	HL3-EN	HAND LEVER, ELECTROLESS NICKEL, 1/4" & 3/8" VALVES
7	1	V-580	KNOB, BLACK (BRASS 3/8-16 INSERT), 1" DIA BALL
6	1	HE3-1-EN	END CAP, ELECTROLESS NICKEL PLATED 1/4 & 3/8" FOR HAND OPER
5	1	AY-HY3G-EN	ASSY - SPR CTR, FLOAT CTR SPL, HAND/FOOT, EN & SS HRDWR, 1/4" & 3/8" VALVES
4	8	V-38-SS	SCREW, 10-24 X 3/4 SHCS, 18-8 SS
3	2	ECG3	GASKET - END CAP, 1/4" & 3/8" VALVE
2	6	V-39	O-RING, STD BODY, VITON, 1/4" & 3/8" VALVES
1	1	B2-2E-TC	BODY - SOLID, PLAIN, NO PILOTS, TUFRAM, 1/4" SIDE PORT VALVE

LIMITS ON DIMENSIONS UNLESS OTHERWISE SPECIFIED		2-PL DECIMAL ± .01 3-PL DECIMAL ± .005 FRACTIONAL ± 1/64 ANGULAR ± 1/2°		 AAA PRODUCTS INTERNATIONAL 7114 Harry Hines Blvd Dallas, TX 75235	
DRAWN: RMckenna		DATE: 4/12/2016		CHECKED: KWaite	
SCALE: 1 : 1		SHEET: 1 OF 1		RELEASED: HWomack	
TITLE: 1/4" SIDE PORT, LEVER, 3 POS, SPR CTR, FLOAT CTR SPL, TUFRAM				PART NO.: 223VY	



THE INFORMATION CONTAINED WITHIN THIS DOCUMENT IS PROPRIETARY TO AAA PRODUCTS AND MAY NOT BE DISCLOSED WITHOUT PRIOR WRITTEN CONSENT