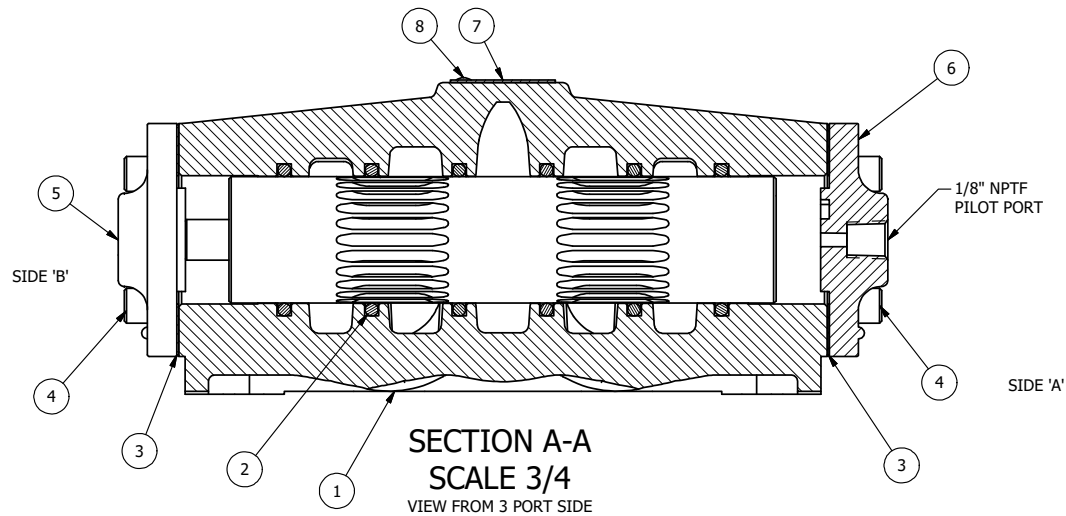


POSITION GASKET ON END OF VALVE SO GASKET SEALS PILOT HOLE, BOTH SIDES (SIDE 'A' SHOWN)

NOTES:
1) ALWAYS GIVE VALVE MODEL AND PART NUMBER WHEN ORDERING PARTS.



SECTION A-A
SCALE 3/4
VIEW FROM 3 PORT SIDE

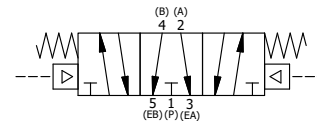
FLG	QTY	PART NO	DESCRIPTION
8	2	V-212	SCREW, 2 X 3/16, DRIVE, TYPE U, OVAL HEAD, 316 SS
7	1	AN-114	NAME PLATE, BLANK, FOR VALVES WITH SPRINGS OR DETENTS.
6	1	PEC48-EN	ENDCAP, ELECTROLESS NICKEL PLATED 1/2 & 3/4 & 1 FOR R OPER
5	1	AY-RY8G-EN	ASSY - SPR CTR, FLOAT CTR SPL, PILOT, E-NICKEL PLATED, 3/4" & 1" VALVE
4	8	V-46-SS	SCREW, 1/4-20 X 3/4, SOCKET HEAD CAP, 18-8 SS
3	2	ECG48	GASKET - END CAP, 1/2", 3/4" & 1" VALVE
2	6	V-88	O-RING, VITON, 75 DURO, AS-220, (REF 1-3/8 X 1-5/8 X 1/8), 3/4" & 1" VALVES
1	1	B8-1-TC	BODY, 1" SIDE PORT, UPPER PILOTS, TUFRAM

LIMITS ON DIMENSIONS
UNLESS OTHERWISE SPECIFIED
2-PL DECIMAL ± .01
3-PL DECIMAL ± .005
FRACTIONAL ± 1/64
ANGULAR ± 1/2°



DRAWN: RMckenna DATE: 2/17/2017 CHECKED: KWaitte DATE: 2/17/2017
SCALE: 3/4 SHEET: 1 OF 1 RELEASED: HWomack DATE: 2/17/2017

TITLE: 1" SIDE PORT, DBL PILOT, 2 POS, SPR CTR, PILOT SHFT, CLSD CTR SPL, VITON O-RINGS, TUFRAM	PART NO.: 218VY	REV.:
--	--------------------	-------



THE INFORMATION CONTAINED WITHIN THIS DOCUMENT IS PROPRIETARY TO AAA PRODUCTS AND MAY NOT BE DISCLOSED WITHOUT PRIOR WRITTEN CONSENT

D:\Engineering\Inventor Files\Internal Drawings\Valves\Assembly\PILOT\Special\218VY.dwg