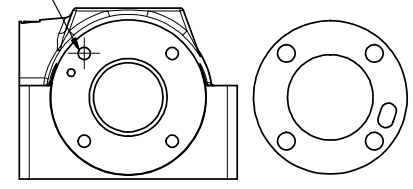


1/2" NPTF PORTS
3-PLACES

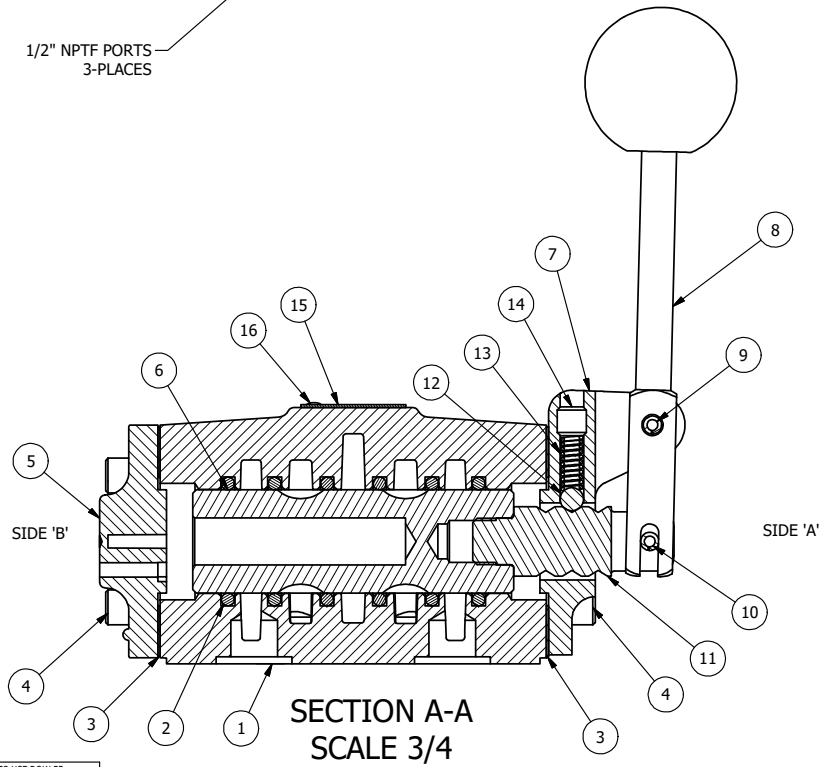
BLOCK
PILOT



USE DOW-55 GREASE

POSITION GASKET ON END OF VALVE SO
GASKET COVERS PILOT HOLE
BOTH SIDES (SIDE 'A' SHOWN)

- NOTES:
 1) ALWAYS GIVE VALVE MODEL AND PART NUMBER WHEN ORDERING PARTS.
 2) LUBRICATE DETENT BALL, SPRING AND CLEVIS.



SECTION A-A
SCALE 3/4

| | | | |
|-----|-----|----------|---|
| 17 | 1 | SPK-4 | KIT - SUBPLATE MOUNT, 1/2" SUBPLATE VALVES |
| 16 | 2 | V-212 | SCREW, 2 X 3/16, DRIVE, TYPE U, OVAL HEAD, 316 SS |
| 15 | 1 | AN-114 | NAME PLATE, BLANK, FOR VALVES WITH SPRINGS OR DETENTS. |
| 14 | 1 | V-8 | SCREW, 5/16-18 X 5/16, SOCKET SET, CUP POINT |
| 13 | 1 | DS48 | SPRING - DETENT, 1/2", 3/4" & 1" VALVE |
| 12 | 1 | V-4 | BALL, CHROME STEEL 1/4 DIA. FOR DETENT |
| 11 | 1 | SC4-3 | CLEVIS - 3 POS. DETENT, 1/2" VALVE |
| 10 | 1 | V-7 | PIN, ROLL 3/16 X 1 1/16 FOR 1/4 THRU 1/2" HAND, FT. & CAM V |
| 9 | 1 | V-10 | PIN, ROLL 3/16 X 7/8 |
| 8 | 1 | HL4-9 | HAND LEVER ASSEMBLY, 1/2" VALVE |
| 7 | 1 | FE4-3 | END CAP - HAND & FOOT, DETENT, 380 AL, 1/2" VALVE |
| 6 | 1 | S4 | SPOOL - STANDARD, 2 POS, CLSD CTR, 1/2" VALVE |
| 5 | 1 | PEC48-3 | END CAP, VENTED, 380 AL, 1/2", 3/4" & 1" VALVES |
| 4 | 8 | V-46 | SCREW, 1/4-20 X 3/4, SOCKET HEAD CAP |
| 3 | 2 | ECG48 | GASKET - END CAP, 1/2", 3/4" & 1" VALVE |
| 2 | 6 | V-100 | O-RING, URETHANE, 70 DURO, AS-216, (REF 1-1/8 X 1-3/8 X 1/8) 1/2" VALVES, 1" SUBPLATE |
| 1 | 1 | BP4-267V | 1/2" SUBPLATE, LOWER PILOTS, OPTIONAL UPPER PILOTS, 1/2" NPTF SIDE PORTS 1, 3 & 5 |
| FLG | QTY | PART NO | DESCRIPTION |

LIMITS ON DIMENSIONS
 UNLESS
 OTHERWISE SPECIFIED

2-PL DECIMAL ± .01
 3-PL DECIMAL ± .005
 FRACTIONAL ± 1/64
 ANGULAR ± 1/2°



DRAWN: RMckenna DATE: 2/17/2018

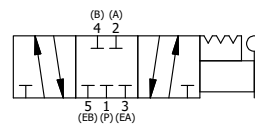
CHECKED: KWhite DATE: 2/17/2018

SCALE: 3/4 SHEET: 1 OF 1

RELEASED: HWomack DATE: 2/17/2018

TITLE:
 1/2" SUBPLATE, LEVER, 3 POS,
 DETENT, CLSD CTR SPL, 1/2" NPTF
 PORTS 1, 3 & 5, URETHANE O-RINGS

PART NO.:
 136V
 REV.:
 A



| A | NO. | DATE | REVISION |
|---|-----|-----------|--------------------------------------|
| | 3 | 3/14/2018 | STANDARDIZED URETHANE TO USE DOW 55. |

THE INFORMATION CONTAINED WITHIN THIS DOCUMENT IS PROPRIETARY TO AAA PRODUCTS AND MAY NOT BE DISCLOSED WITHOUT PRIOR WRITTEN CONSENT

D:\Engineering\Inventor Files\Internal Drawings\Subplates\Assembly Level\Special\136V.dwg