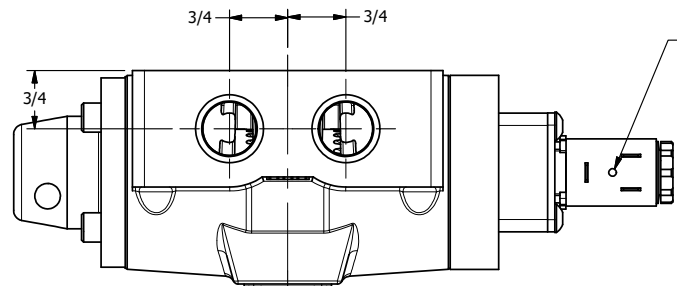


4

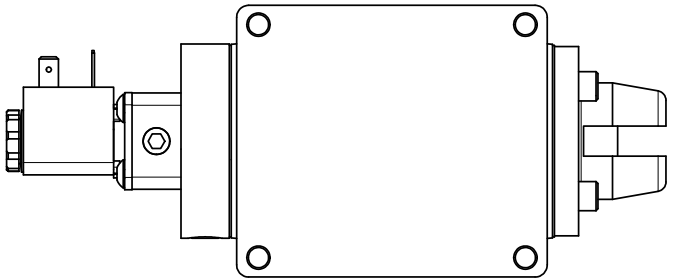
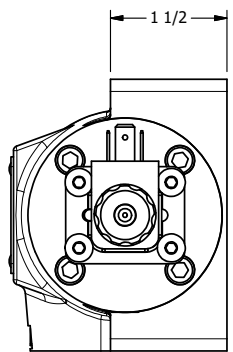
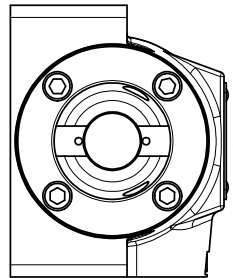
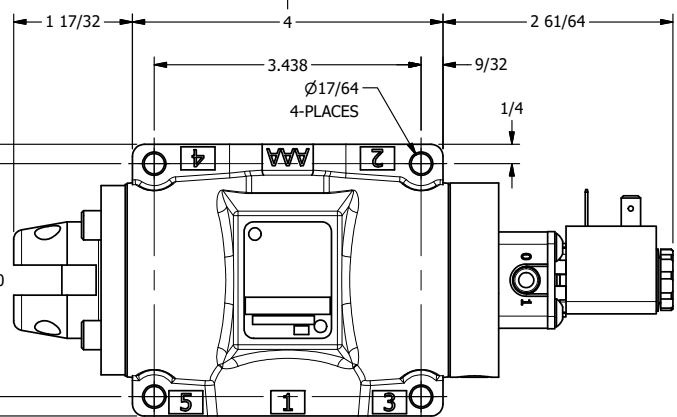
3

2

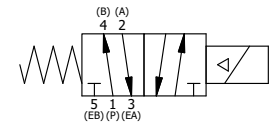
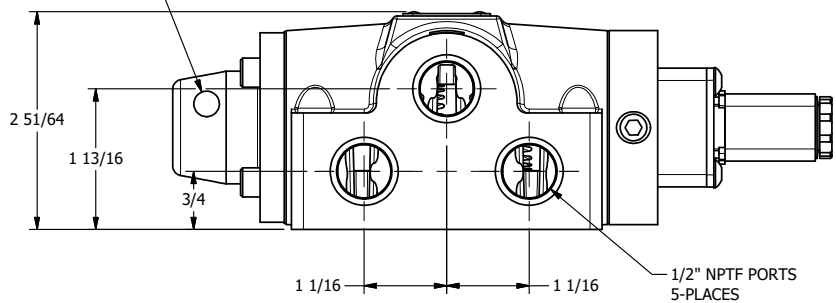
1



11mm/INDUSTRIAL TYPE B  
DIN 43650 STYLE



Ø21/64 THROUGH HOLE  
WHEN SOLENOID IS  
DE-ENERGIZED



**AAA**  
PRODUCTS  
INTERNATIONAL

**AAA PRODUCTS  
INTERNATIONAL**  
7114 Harry Hines Blvd  
Dallas, TX 75235

TITLE: 1/2" SIDE PORT, SNGL SOL, 2 POS,  
SPRING RTRN, REAR LOCKOUT POS C

DRAWING NO.:  
DIM\_449V

4

3

2

1

THE INFORMATION CONTAINED WITHIN THIS DOCUMENT IS PROPRIETARY TO AAA PRODUCTS AND MAY NOT BE DISCLOSED WITHOUT PRIOR WRITTEN CONSENT