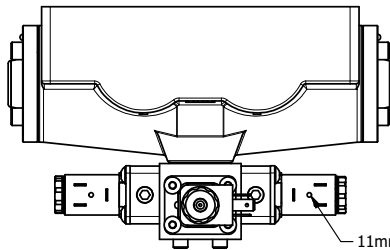


4

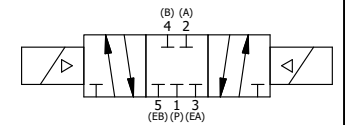
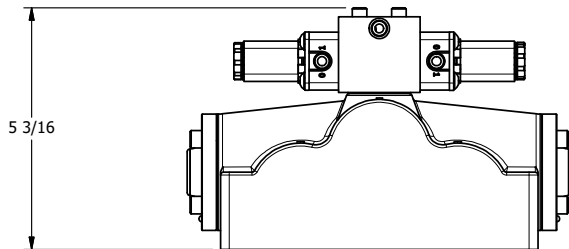
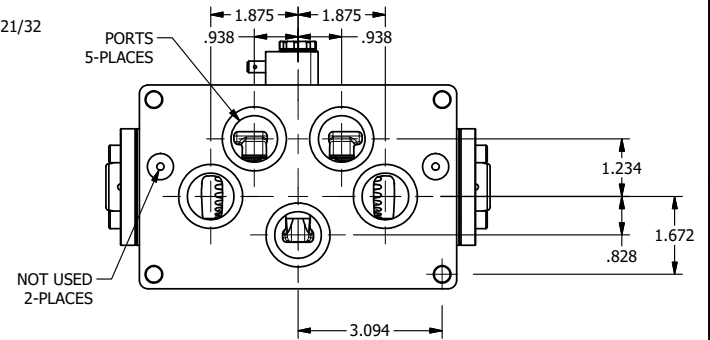
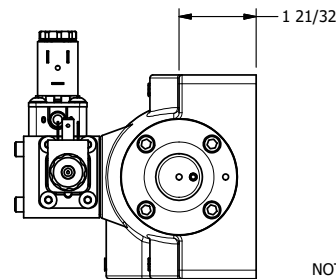
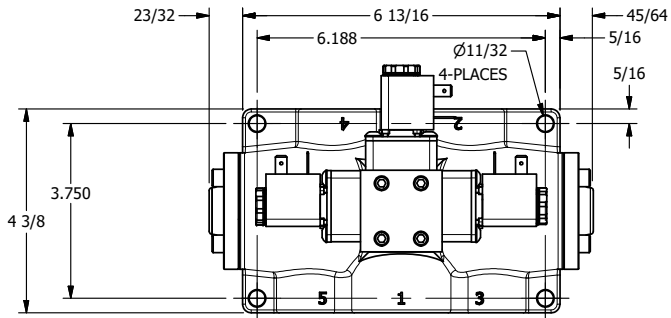
3

2

1



11mm/INDUSTRIAL TYPE B
DIN 43650 STYLE



AAA
PRODUCTS
INTERNATIONAL
7114 Harry Hines Blvd
Dallas, TX 75235

TITLE: 1" SIDE PORT, TRPL SOL, 3 POS,
SPR CTR, SOL SHFT, FLOAT CTR SPL,
SOL CNTRLD PILOT, 24VDC

DRAWING NO.:
DIM_404V

THE INFORMATION CONTAINED WITHIN THIS DOCUMENT IS PROPRIETARY TO AAA PRODUCTS AND MAY NOT BE DISCLOSED WITHOUT PRIOR WRITTEN CONSENT

4

3

2

1