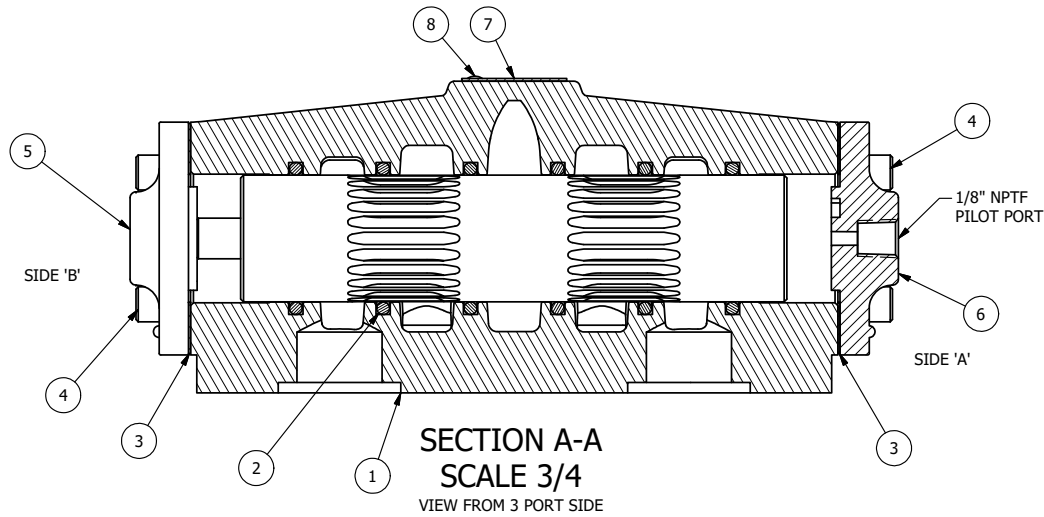


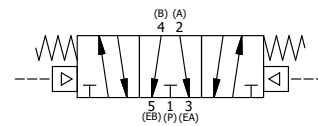
POSITION GASKET ON END OF VALVE SO GASKET SEALS UPPER PILOT HOLE, AND LOWER PILOT VENTS TO END CAP BOTH SIDES (SIDE 'A' SHOWN)

NOTES:
1) ALWAYS GIVE VALVE MODEL AND PART NUMBER WHEN ORDERING PARTS.



| FLG | QTY | PART NO | DESCRIPTION |
|-----|-----|---------|--|
| 9 | 1 | SPK-8 | KIT - SUBPLATE MOUNT, 1" SUBPLATE VALVES |
| 8 | 2 | V-212 | SCREW, #2 X 3/16 DRIVE, TYPE U, OVAL HEAD, STAINLESS STEEL |
| 7 | 1 | AN-114 | NAMEPLATE, BLANK, FOR VALVES WITH SPRINGS OR DETENTS |
| 6 | 1 | PEC48 | END CAP, PILOT, 380 AL, 1/2", 3/4" & 1" VALVES |
| 5 | 1 | AY-RY8G | ASSY - SPR CTR, FLOAT CTR SPL, PILOT, 3/4" & 1" VALVE |
| 4 | 8 | V-46 | SCREW, 1/4-20 X 3/4, SOCKET HEAD CAP |
| 3 | 2 | ECG48-1 | GASKET - END CAP, LOWER PILOT, 1/2", 3/4" & 1" VALVE |
| 2 | 6 | V-30 | O-RING, BUNA-N, 70 DURO, AS-220, (REF 1-3/8 X 1-5/8 X 1/8), 3/4" & 1" VALVES |
| 1 | 1 | BP8-4 | BODY, 1" SUBPLATE, UPPER & LOWER PILOT |

| | | | | |
|--|-----------------|--|---------------------------|--|
| LIMITS ON DIMENSIONS UNLESS OTHERWISE SPECIFIED | | 2-PL DECIMAL ± .01 3-PL DECIMAL ± .005 FRACTIONAL ± 1/64 ANGULAR ± 1/2° | | AAA PRODUCTS INTERNATIONAL 7114 Harry Hines Blvd Dallas, TX 75235 |
| DRAWN: RMckenna | DATE: 7/27/2014 | CHECKED: KWaite | DATE: 3/26/2015 | |
| SCALE: 3/4 | SHEET: 1 OF 1 | RELEASED: HWomack | DATE: 3/26/2015 | |
| TITLE: 1" SUBPLATE, DBL PILOT, 3 POS, SPR CTR, PILOT SHFT, FLOAT CTR SPL | | | PART NO.: RY8PG | REV.: |



THE INFORMATION CONTAINED WITHIN THIS DOCUMENT IS PROPRIETARY TO AAA PRODUCTS AND MAY NOT BE DISCLOSED WITHOUT PRIOR WRITTEN CONSENT

D:\Engineering\product\Valve Assembly\PILOT\RY8PG\RY8PG.dwg