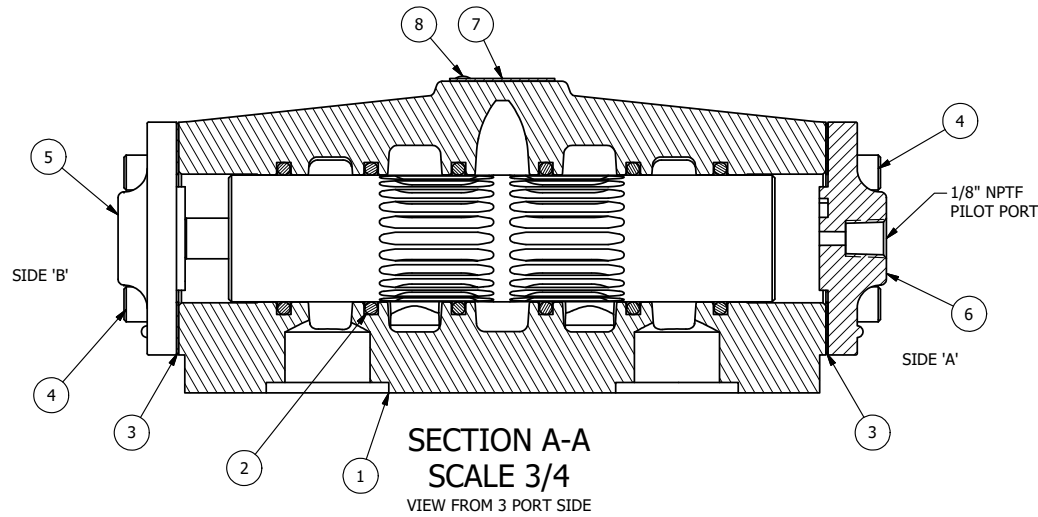


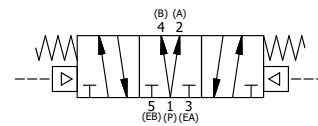
POSITION GASKET ON END OF VALVE SO GASKET SEALS UPPER PILOT HOLE, AND LOWER PILOT VENTS TO END CAP BOTH SIDES (SIDE 'A' SHOWN)

NOTES:  
1) ALWAYS GIVE VALVE MODEL AND PART NUMBER WHEN ORDERING PARTS.



FLG	QTY	PART NO	DESCRIPTION
9	1	SPK-8	KIT - SUBPLATE MOUNT, 1" SUBPLATE VALVES
8	2	V-212	SCREW, #2 X 3/16 DRIVE, TYPE U, OVAL HEAD, STAINLESS STEEL
7	1	AN-114	NAMEPLATE, BLANK, FOR VALVES WITH SPRINGS OR DETENTS
6	1	PEC48	END CAP, PILOT, 380 AL, 1/2", 3/4" & 1" VALVES
5	1	AY-RY8D	ASSY - SPR CTR, REGEN CTR SPL, PILOT, 3/4" & 1" VALVE
4	8	V-46	SCREW, 1/4-20 X 3/4, SOCKET HEAD CAP
3	2	ECG48-1	GASKET - END CAP, LOWER PILOT, 1/2", 3/4" & 1" VALVE
2	6	V-30	O-RING, BUNA-N, 70 DURO, AS-220, (REF 1-3/8 X 1-5/8 X 1/8), 3/4" & 1" VALVES
1	1	BP8-4	BODY, 1" SUBPLATE, UPPER & LOWER PILOT

LIMITS ON DIMENSIONS UNLESS OTHERWISE SPECIFIED		2-PL DECIMAL ± .01 3-PL DECIMAL ± .005 FRACTIONAL ± 1/64 ANGULAR ± 1/2°		<b>AAA PRODUCTS INTERNATIONAL</b> 7114 Harry Hines Blvd Dallas, TX 75235	
DRAWN: RMckenna		DATE: 7/27/2014			CHECKED: KWaite
SCALE: 3/4		SHEET: 1 OF 1		RELEASED: HWomack	DATE: 3/26/2015
TITLE: <b>1" SUBPLATE, DBL PILOT, 3 POS, SPR CTR, PILOT SHFT, REGEN CTR SPL</b>				PART NO.: <b>RY8PD</b>	REV.:



THE INFORMATION CONTAINED WITHIN THIS DOCUMENT IS PROPRIETARY TO AAA PRODUCTS AND MAY NOT BE DISCLOSED WITHOUT PRIOR WRITTEN CONSENT

D:\Engineering\product\Valve Assembly\PILOT\RY8PD\RY8PD.dwg