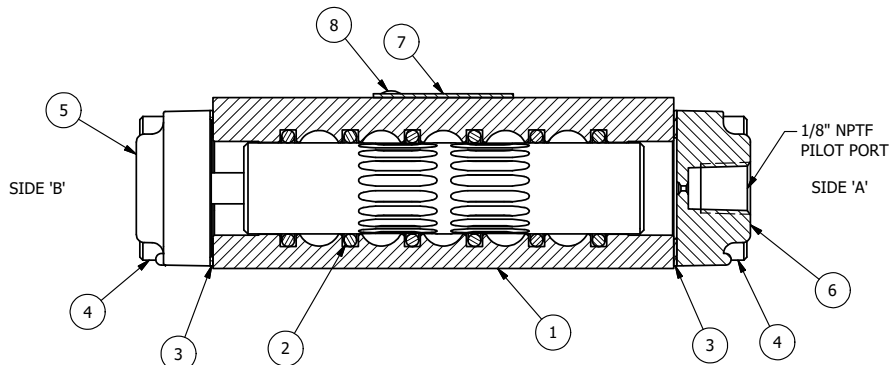


POSITION GASKET ON END OF VALVE SO MOUNTING HOLES ALIGN, BOTH ENDS (SIDE 'A' SHOWN)

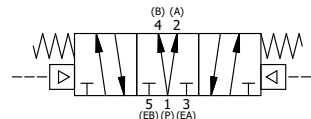


**SECTION A-A**  
SCALE 1 : 1  
VIEW FROM 3 PORT SIDE

NOTES:  
1) ALWAYS GIVE VALVE MODEL AND PART NUMBER WHEN ORDERING PARTS.

| FLG | QTY | PART NO | DESCRIPTION  |
|-----|-----|---------|--|
| 8   | 2   | V-212   | SCREW, #2 X 3/16 DRIVE, TYPE U, OVAL HEAD, STAINLESS STEEL     |
| 7   | 1   | AN-114  | NAMEPLATE, BLANK, FOR VALVES WITH SPRINGS OR DETENTS           |
| 6   | 1   | PEC3    | END CAP, PILOT, 380 AL, 1/4" & 3/8" VALVE                      |
| 5   | 1   | AY-RY3D | ASSY - SPR CTR, REGEN CTR SPL, PILOT, 1/4" & 3/8" VALVES       |
| 4   | 8   | V-38    | SCREW, 10-24 X 3/4, SOCKET HEAD CAP                            |
| 3   | 2   | ECG3    | GASKET - END CAP, 1/4" & 3/8" VALVE                            |
| 2   | 6   | V-39    | O-RING, VITON, STD BODY, 1/4" & 3/8" VALVES                    |
| 1   | 1   | B3-2E   | BODY - SOLID, PLAIN, NO PILOTS, ANODIZED, 3/8" SIDE PORT VALVE |

|   |  |  |  |  |                 |
|---|--|--|--|--|-----------------|
| LIMITS ON DIMENSIONS<br>UNLESS OTHERWISE SPECIFIED  |  | 2-PL DECIMAL ± .01<br>3-PL DECIMAL ± .005<br>FRACTIONAL ± 1/64<br>ANGULAR ± 1/2° |  | <b>AAA PRODUCTS INTERNATIONAL</b><br>7114 Harry Hines Blvd<br>Dallas, TX 75235 |                 |
| DRAWN: RMckenna   |  | DATE: 7/27/2014  |  |  | CHECKED: KWaite |
| SCALE: 1 : 1  |  | SHEET: 1 OF 1  |  | RELEASED: HWomack  | DATE: 3/26/2015 |
| TITLE:<br><b>3/8" SIDE PORT, DBL PILOT, 3 POS,<br/>SPR CTR, PILOT SHFT, REGEN CTR SPL</b> |  |  |  | PART NO.:<br><b>RY3D</b>   | REV.:           |



THE INFORMATION CONTAINED WITHIN THIS DOCUMENT IS PROPRIETARY TO AAA PRODUCTS AND MAY NOT BE DISCLOSED WITHOUT PRIOR WRITTEN CONSENT

D:\Engineering\product\Valve Assembly\PILOT\RY3D\RY3D.dwg