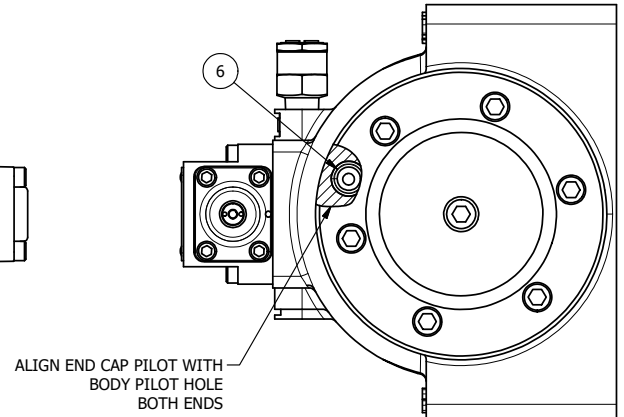


NOTES:
 1) ALWAYS GIVE VALVE MODEL AND PART NUMBER WHEN ORDERING.
 2) OPEN MUFFLER 2 TURNS FROM CLOSED POSITION. TIGHTEN LOCK NUT ON MUFFLER.
 3) INSTALL MUFFLER WITH MAGNALUBE-G GREASE 1 TO 1-1/2 TURNS FROM HAND TIGHT INTO BODY.



THE FOLLOWING PARTS ARE INCLUDED WITH THE SUBPLATE VALVE AND ARE USED TO ASSEMBLE.

QTY	PART NO	DESCRIPTION
5	V-92	O-RING, BUNA-N, 70 DURO, AS-014, (REF 1/2 X 5/8 X 1/16), 3/8" SUBPLATE
4	V-35	SCREW, 10-24 X 7/8, SOCKET HEAD CAP
2	V-93	O-RING, BUNA-N, 70 DURO, AS-008, (REF 3/16 X 5/16 X 1/16), 3/8" SUBPLATE PILOT
14	1	SPK-16 KIT - SUBPLATE MOUNT, 2" SUBPLATE VALVES
13	1	RY3PD 3/8" SUBPLATE, DBL PILOT, 3 POS, SPR CTR, PILOT SHFT, REGEN CTR SPL
12	2	MFC2 ASSEMBLY - MUFFLER FLOW CONTROL, 1/4" NPT
11	2	V-337 PLUG, SOCKET 1/4-18 FLUSH SEAL PLUG
10	2	V-129 U-CUP, 1-5/8 X 1-1/8 X 1/4, NITRILE
9	2	SPC12 SPOOL - PRESS. CTR, 1 1/2" & 2" VALVE
8	2	V-128 O-RING, BUNA-N, 70 DURO, AS-229, (REF 2-3/8 X 2-5/8 X 1/8), 3 POS, 1-1/2" & 2" VALVES
7	3	V-231 PLUG, SOCKET PRESSURE 1/16-27X 7/8 TAPER FOR 122V, 192V, FOR EC
6	2	V-89 O-RING, BUNA-N, 70 DURO, AS-110, (REF 3/8 X 9/16 X 3/32), 1" & 2" SUBPLATE PILOT
5	2	PCE12E ENDCAP - PRESSURE CTR, SOLID, 6061-T6 AL, 1-1/2" & 2" VALVES
4	12	V-143 SCREW, 5/16-18 X 2, SOCKET HEAD CAP
3	1	S12 SPOOL - STANDARD, 2 POS - 3 POS CLOSED CTR, 1 1/2" & 2" VALVE
2	6	V-123 O-RING, BUNA-N, 70 DURO, AS-331, (REF 2-1/4 X 2-5/8 X 3/16), 1-1/2" & 2" VALVES
1	1	BP16-6 BODY, 2" SUBPLATE, PIGGY BACK
FLG	QTY	PART NO DESCRIPTION

LIMITS ON DIMENSIONS
 UNLESS OTHERWISE SPECIFIED
 2-PL DECIMAL ± .01
 3-PL DECIMAL ± .005
 FRACTIONAL ± 1/64
 ANGULAR ± 1/2°

AAA PRODUCTS INTERNATIONAL
 7114 Harry Hines Blvd
 Dallas, TX 75235

DRAWN: RMckenna DATE: 1/23/2019 CHECKED: KWaite DATE: 1/23/2019
 SCALE: 1/2 SHEET: 1 OF 1 RELEASED: HWormack DATE: 1/23/2019

TITLE: 2" SUBPLATE, SNGL PILOT, 3 POS, PRESS CTR, PILOT SHFT, CLSD CTR SPL, EXTERNAL PILOT	PART NO.: RY16PZ	REV.:
---	---------------------	-------

THE INFORMATION CONTAINED WITHIN THIS DOCUMENT IS PROPRIETARY TO AAA PRODUCTS AND MAY NOT BE DISCLOSED WITHOUT PRIOR WRITTEN CONSENT

P:\Engineering\product\Valve Assembly\PHOTO\RY16PZ\RY16PZ.dwg