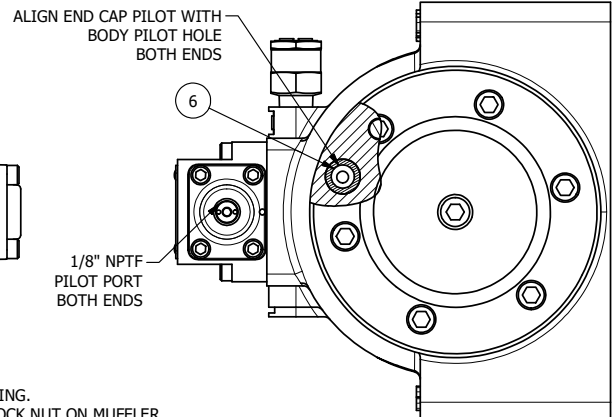


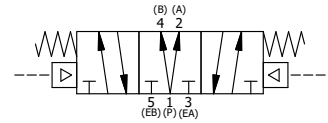
- NOTES:
 1) ALWAYS GIVE VALVE MODEL AND PART NUMBER WHEN ORDERING.
 2) OPEN MUFFLER 2 TURNS FROM CLOSED POSITION. TIGHTEN LOCK NUT ON MUFFLER.
 3) INSTALL MUFFLER WITH MAGNALUBE-G GREASE 1 TO 1-1/2 TURNS FROM HAND TIGHT INTO BODY.



THE FOLLOWING PARTS ARE INCLUDED WITH THE SUBPLATE VALVE AND ARE USED TO ASSEMBLE.

QTY	PART NO	DESCRIPTION	
5	V-92	O-RING, BUNA-N, 70 DURO, AS-014, (REF 1/2 X 5/8 X 1/16), 3/8" SUBPLATE	
4	V-35	SCREW, 10-24 X 7/8, SOCKET HEAD CAP	
2	V-93	O-RING, BUNA-N, 70 DURO, AS-008, (REF 3/16 X 5/16 X 1/16), 3/8" SUBPLATE PILOT	
13	RY3PD	3/8" SUBPLATE, DBL PILOT, 3 POS, SPR CTR, PILOT SHFT, REGEN CTR SPL	
12	MFC2	ASSEMBLY - MUFFLER FLOW CONTROL, 1/4" NPT	
11	V-337	PLUG, SOCKET 1/4-18 FLUSH SEAL PLUG	
10	V-129	U-CUP, 1-5/8 X 1-1/8 X 1/4, NITRILE	
9	SPC12	SPOOL - PRESS. CTR, 1 1/2" & 2" VALVE	
8	V-128	O-RING, BUNA-N, 70 DURO, AS-229, (REF 2-3/8 X 2-5/8 X 1/8), 3 POS, 1-1/2" & 2" VALVES	
7	V-231	PLUG, SOCKET PRESSURE 1/16-27X 7/8 TAPER FOR 122V,192V, FOR EC	
6	V-89	O-RING, BUNA-N, 70 DURO, AS-110, (REF 3/8 X 9/16 X 3/32), 1" & 2" SUBPLATE PILOT	
5	PCE12E	ENDCAP - PRESSURE CTR, SOLID, 6061-T6 AL, 1-1/2" & 2" VALVES	
4	V-143	SCREW, 5/16-18 X 2, SOCKET HEAD CAP	
3	S12D	SPOOL - 'D', REGEN CTR, 1 1/2" & 2" VALVE	
2	V-123	O-RING, BUNA-N, 70 DURO, AS-331, (REF 2-1/4 X 2-5/8 X 3/16), 1-1/2" & 2" VALVES	
1	B12-6	BODY, 1 1/2" SIDE PORT, PIGGY BACK	
FLG	QTY	PART NO	DESCRIPTION

SECTION A-A
 SCALE 1 / 2
 VIEW FROM 3 PORT SIDE



LIMITS ON DIMENSIONS UNLESS OTHERWISE SPECIFIED		2-PL DECIMAL ± .01 3-PL DECIMAL ± .005 FRACTIONAL ± 1/64 ANGULAR ± 1/2°		AAA PRODUCTS INTERNATIONAL 7114 Harry Hines Blvd Dallas, TX 75235
DRAWN: RMckenna	DATE: 1/23/2019	CHECKED: KWaite	DATE: 1/23/2019	
SCALE: 1 / 2	SHEET: 1 OF 1	RELEASED: HWormack	DATE: 1/23/2019	
TITLE: 1-1/2" SIDE PORT, DBL PILOT, 3 POS, PRESS CTR, PILOT SHFT, REGEN CTR SPL, EXTERNAL PILOT			PART NO.: RY12DZ	REV.:

THE INFORMATION CONTAINED WITHIN THIS DOCUMENT IS PROPRIETARY TO AAA PRODUCTS AND MAY NOT BE DISCLOSED WITHOUT PRIOR WRITTEN CONSENT

D:\Engineering\product\Valve Assembly\PILOT\RY12DZ.dwg