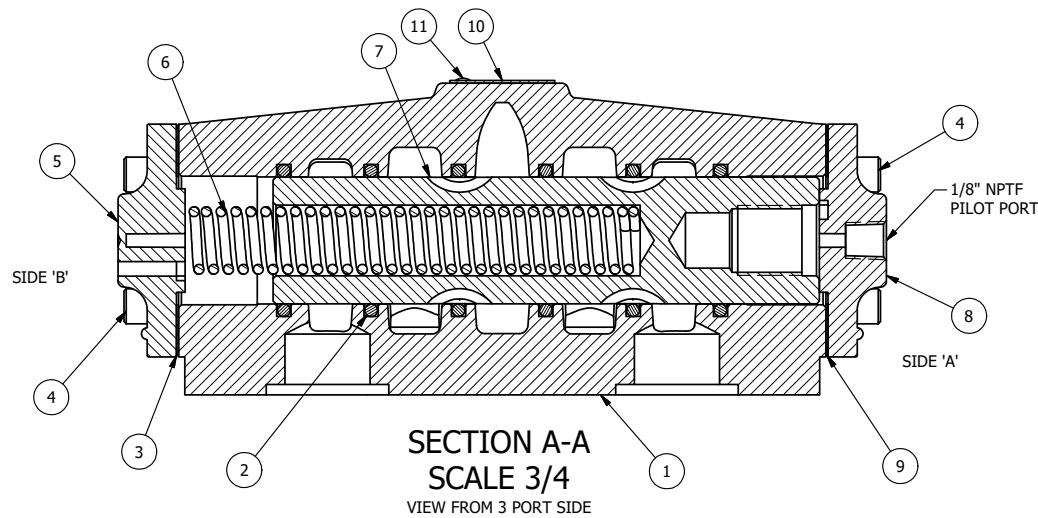


POSITION GASKET ON END OF VALVE SO GASKET SEALS ALL PILOT HOLES, SIDE 'B' ONLY

POSITION GASKET ON END OF VALVE SO GASKET SEALS UPPER PILOT HOLE, AND LOWER PILOT VENTS TO END CAP (SIDE 'A' ONLY)

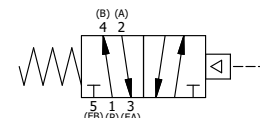
NOTES:

1) ALWAYS GIVE VALVE MODEL AND PART NUMBER WHEN ORDERING PARTS.



FLG	QTY	PART NO	DESCRIPTION
12	1	SPK-8	KIT - SUBPLATE MOUNT, 1" SUBPLATE VALVES
11	2	V-212	SCREW, #2 X 3/16 DRIVE, TYPE U, OVAL HEAD, STAINLESS STEEL
10	1	AN-114	NAMEPLATE, BLANK, FOR VALVES WITH SPRINGS OR DETENTS
9	1	ECG48-1	GASKET - END CAP, LOWER PILOT, 1/2", 3/4" & 1" VALVE
8	1	PEC48	END CAP, PILOT, 380 AL, 1/2", 3/4" & 1" VALVES
7	1	S8	SPOOL - STANDARD, 2 POS, CLSD CTR, 3/4" & 1" VALVE
6	1	CS8	SPRING - RETURN, 3/4" & 1" VALVES
5	1	PEC48-3	END CAP, VENTED, 380 AL, 1/2", 3/4" & 1" VALVES
4	8	V-46	SCREW, 1/4-20 X 3/4, SOCKET HEAD CAP
3	1	ECG48	GASKET - END CAP, 1/2", 3/4" & 1" VALVE
2	6	V-30	O-RING, BUNA-N, 70 DURO, AS-220, (REF 1-3/8 X 1-5/8 X 1/8), 3/4" & 1" VALVES
1	1	BP8-4	BODY, 1" SUBPLATE, UPPER & LOWER PILOT

LIMITS ON DIMENSIONS UNLESS OTHERWISE SPECIFIED		2-PL DECIMAL ± .01 3-PL DECIMAL ± .005 FRACTIONAL ± 1/64 ANGULAR ± 1/2°		AAA PRODUCTS INTERNATIONAL 7114 Harry Hines Blvd Dallas, TX 75235
DRAWN: RMckenna	DATE: 7/26/2014	CHECKED: KWaite	DATE: 3/26/2015	
SCALE: 3/4	SHEET: 1 OF 1	RELEASED: HWomack	DATE: 3/26/2015	
TITLE: 1" SUBPLATE, SNGL PILOT, 2 POS, SPR RTRN			PART NO.: RO8P	REV.:



THE INFORMATION CONTAINED WITHIN THIS DOCUMENT IS PROPRIETARY TO AAA PRODUCTS AND MAY NOT BE DISCLOSED WITHOUT PRIOR WRITTEN CONSENT

D:\Engineering\product\Valve Assembly\PILOT\RO8P\RO8P.dwg