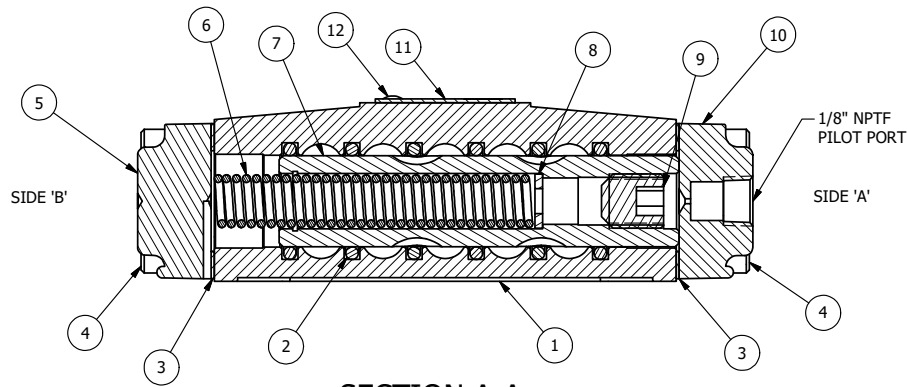


POSITION GASKET ON END OF VALVE SO MOUNTING HOLES ALIGN, BOTH ENDS (SIDE 'A' SHOWN)



SECTION A-A  
SCALE 1 : 1  
VIEW FROM 3 PORT SIDE

NOTES:

- 1) ALWAYS GIVE VALVE MODEL AND PART NUMBER WHEN ORDERING PARTS.
- 2) APPLY ANTI-SEIZE COMPOUND LIGHTLY TO THE FIRST 1/4" OF THE SCREW THREAD. APPLICATION SHOULD BE AROUND THE THREAD OF THE SCREW.

FLG	QTY	PART NO	DESCRIPTION
12	2	V-212	SCREW, #2 X 3/16 DRIVE, TYPE U, OVAL HEAD, STAINLESS STEEL
11	1	AN-106	NAMEPLATE, BLANK, STAINLESS STEEL
10	1	PEC3-11	END CAP, PILOT, STAINLESS STEEL, 1/4" & 3/8" VALVE
9	1	V-20-SS	SCREW, 7/16-20 X 1/2, SOCKET SET, CUP POINT, 18-8 SS OR EQUIVALENT
8	1	V-43	WASHER - SPRING CTR, 302/304 STAINLESS STEEL, 1/4" & 3/8" VALVES
7	1	SSH3-SS	SPOOL - STANDARD, 2 POS, CLSD CTR, STAINLESS, 1/4" & 3/8" VALVE
6	1	CS3-5	SPRING - RETURN, STAINLESS, 1/4" & 3/8" VALVES
5	1	SEC3-3	END CAP, VENTED, STAINLESS STEEL, 1/4" & 3/8" VALVES
4	8	V-500	SCREW, 10-24 X 3/4, SOCKET HEAD CAP, STAINLESS
3	2	ECG3	GASKET - END CAP, 1/4" & 3/8" VALVE
2	6	V-39	O-RING, VITON, STD BODY, 1/4" & 3/8" VALVES
1	1	B2-2-SS	BODY - STAINLESS STEEL, PLAIN, NO PILOTS, 1/4" SIDE PORT VALVE

LIMITS ON DIMENSIONS  
UNLESS  
OTHERWISE SPECIFIED

2-PL DECIMAL ± .01  
3-PL DECIMAL ± .005  
FRACTIONAL ± 1/64  
ANGULAR ± 1/2°



DRAWN: RHuffstetter DATE: 3/3/2003

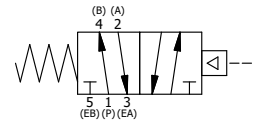
CHECKED: KWaite DATE: 6/7/2015

SCALE: 1 : 1 SHEET: 1 OF 1

RELEASED: HWomack DATE: 6/7/2015

TITLE:  
1/4" SIDE PORT, SNGL PILOT, 2 POS,  
SPR RTRN, STAINLESS

PART NO.:  
RO2SS  
REV.:  
B



NO.	DATE	REVISION
B	8/19/2020	REPLACED S3-SS WITH SSH3-SS, ADDED V-43, V-20-SS.
A	3/17/06	CHANGED GASKET FROM BG3 TO ECG3