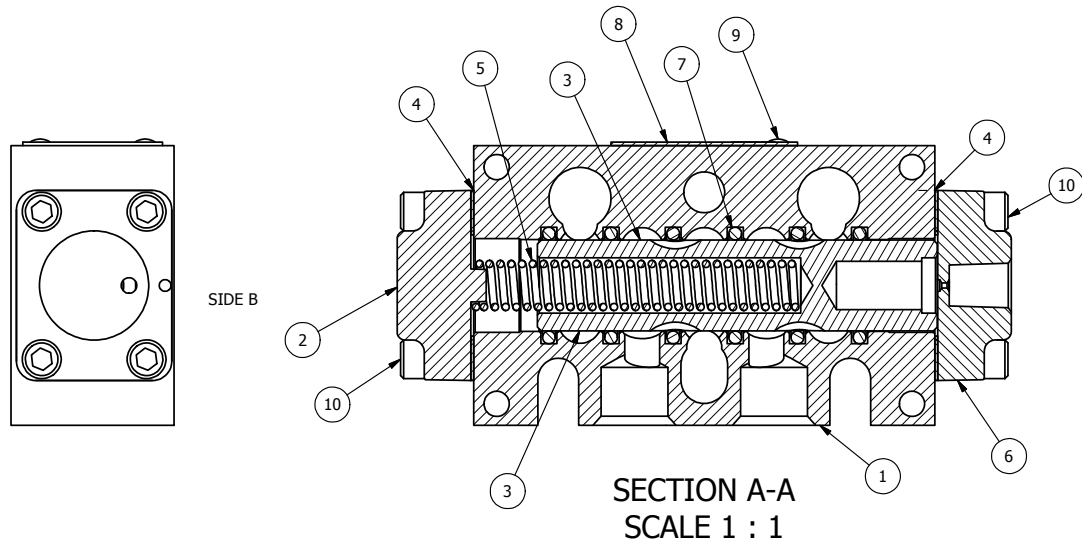


POSITION GASKET ON END OF VALVE TO SEAL PILOT HOLE IF PRESENT, BOTH SIDES (SIDE 'B' SHOWN)

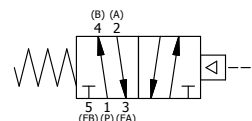


SECTION A-A  
SCALE 1 : 1

FLG	QTY	PART NO	DESCRIPTION
11	3	V-110	O-RING, 5/8 X 13/16 X 3/32 BUNA 70 D. FOR 1/4 SLEEVE VALVES & STACKING MANIFOLD
10	8	V-38	SCREW, 10-24 X 3/4 SHCS, FOR 3/8" CAST END CAP
9	2	V-212	SCREW, #2 X 3/16 DRIVE, TYPE U, OVAL HEAD, 316 STAINLESS STEEL
8	1	AN-114	NAME PLATE, BLANK, FOR VALVES WITH SPRINGS OR DETENTS.
7	6	V-39	O-RING, STD BODY, VITON, 1/4" & 3/8" VALVES
6	1	PEC3	END CAP, PILOT, 380 AL, 1/4" & 3/8" VALVE
5	1	CS3	SPRING - RETURN, (EXCEPT HO, KO & PO) 1/4" & 3/8" VALVES
4	2	ECG3	GASKET - END CAP, 1/4" & 3/8" VALVE
3	1	S3	SPOOL - STANDARD, 2 POS, CLSD CTR, 1/4" & 3/8" VALVE
2	1	SEC3-A	END CAP, VENTED, SPRING BOSS, 380 AL, 1/4" & 3/8" VALVE
1	1	B3-10E	FINISHED - SOLID BODY, UPPER PILOTS, 3/8" STACKING VALVE

NOTES:  
1) ALWAYS GIVE VALVE MODEL AND PART NUMBER WHEN ORDERING PARTS.

LIMITS ON DIMENSIONS UNLESS OTHERWISE SPECIFIED		2-PL DECIMAL ± .01 3-PL DECIMAL ± .005 FRACTIONAL ± 1/64 ANGULAR ± 1/2°		<b>AAA PRODUCTS INTERNATIONAL</b> 7114 Harry Hines Blvd Dallas, TX 75235
DRAWN: RMckenna	DATE: 8/15/2005	CHECKED: KWaite	DATE: 9/29/2013	
SCALE: 1 : 1	SHEET: 1 OF 1	RELEASED: HWomack	DATE: 9/29/2013	
TITLE: <b>3/8" STACK, SNGL PILOT, 2 POS, SPR RTRN</b>			PART NO.: <b>BRO3</b>	REV.: <b>C</b>



NO.	DATE	REVISION
C	1/7/2014	RE-ORIENTED ENDCAP TO USE PILOTTED BODY.
B	10/17/06	CHANGED GASKET FROM BG3 TO ECG3.
A	7/20/05	CHANGED GASKET FROM NEG3 TO BG3.

THE INFORMATION CONTAINED WITHIN THIS DOCUMENT IS PROPRIETARY TO AAA PRODUCTS AND MAY NOT BE DISCLOSED WITHOUT PRIOR WRITTEN CONSENT

P:\Engineering\Inventory Files\Internal Drawings\Valves Assembly\Pilot (R) (BRO3).rvt