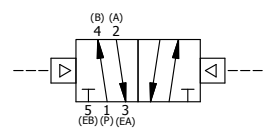
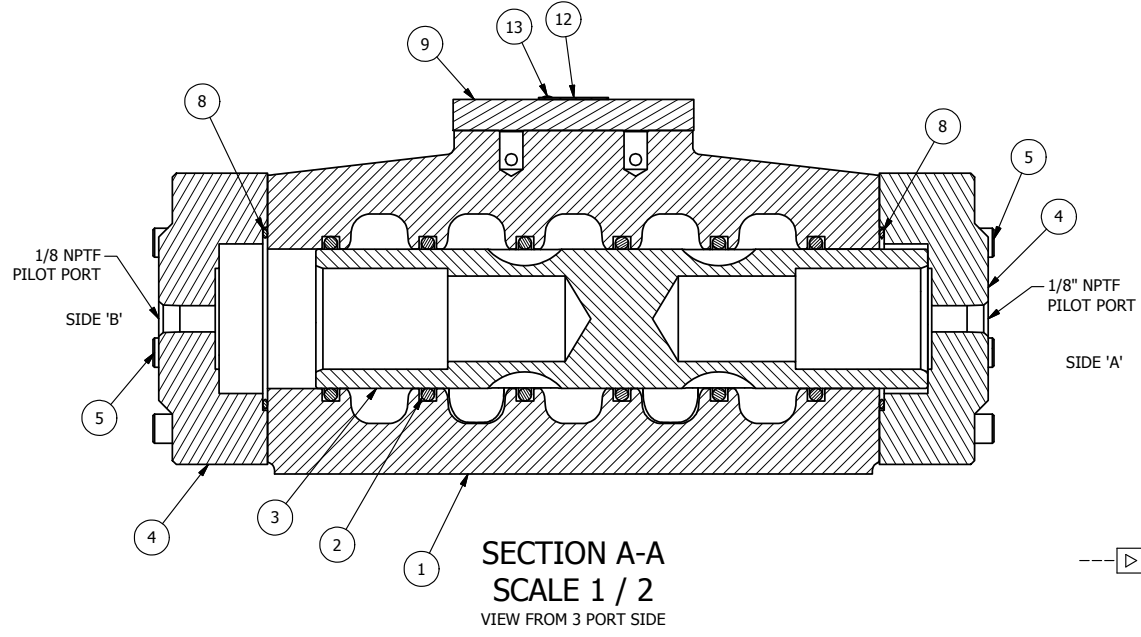


- NOTES:  
 1) ALWAYS GIVE VALVE MODEL AND PART NUMBER WHEN ORDERING PARTS.  
 2) DO NOT ALIGN ENDCAP PILOT HOLE WITH ANY PILOTS IN BODY, BOTH ENDS.



FLG	QTY	PART NO	DESCRIPTION
13	2	V-212	SCREW, #2 X 3/16 DRIVE, TYPE U, OVAL HEAD, 316 STAINLESS STEEL
12	1	AN-115	BLANK NAMEPLATE FOR HE,KE,KD,RR,D,CR,PP,SR,SS VALVES.
11	4	V-162	SCREW, 10-24 X 5/8 SHCS CAP R2H VALVE & JIFFY WIPER
10	2	V-92	O-RING, 1/2 X 5/8 X 1/16 BUNA-N 70 D. S.P.&PILOT SEAL 1/4"
9	1	V-522	PLATE - COVER, 1-1/2" & 2" VALVE
8	2	V-124	O-RING, 2 5/8 X 2 7/8 X 1/8 70 D. BUNA FOR 2" END CAP SEAL
7	2	V-89	O-RING, 3/8 X 9/16 X 3/32 BUNA 70 D. 1" SUBPLATE & 1 1/2" E.C.
6	3	V-231	PLUG, SOCKET PRESSURE 1/16-27X 7/8 TAPER FOR 122V,192V,FOR EC
5	12	V-143	SCREW, 5/16-18 X2 SOCKET HEAD CAP HOLD END CAP TO 2" VALVES
4	2	PEC12E	ENDCAP - PILOT, SOLID, 6061-T6 AL, 1-1/2" & 2" VALVES
3	1	S12	SPOOL - STANDARD, 2 POS - 3 POS CLOSED CTR, 1 1/2" & 2" VALVE
2	6	V-123	O-RING, 2 1/4 X 2 5/8 X 3/16 70 D.(2-331) BUNA FOR 2" SPOOL SEAL.
1	1	B12-6	BODY, 1 1/2" SIDE PORT, PIGGY BACK

LIMITS ON DIMENSIONS UNLESS OTHERWISE SPECIFIED		2-PL DECIMAL ± .01 3-PL DECIMAL ± .005 FRACTIONAL ± 1/64 ANGULAR ± 1/2°		<b>AAA PRODUCTS INTERNATIONAL</b> 7114 Harry Hines Blvd Dallas, TX 75235
DRAWN: RMckenna	DATE: 7/17/2005	CHECKED: KWaite	DATE: 3/26/2015	
SCALE: 1 / 2	SHEET: 1 OF 1	RELEASED: HWormack	DATE: 3/26/2015	TITLE: 1-1/2" SIDE PORT, DBL PILOT, 2 POS, FRICTION POS, PILOT RTRN
PART NO.: GR12			REV.:	

THE INFORMATION CONTAINED WITHIN THIS DOCUMENT IS PROPRIETARY TO AAA PRODUCTS AND MAY NOT BE DISCLOSED WITHOUT PRIOR WRITTEN CONSENT

D:\Engineering\Inventory Files\Internal Drawings\Valves Assembly\Pilot\GR12.dwg