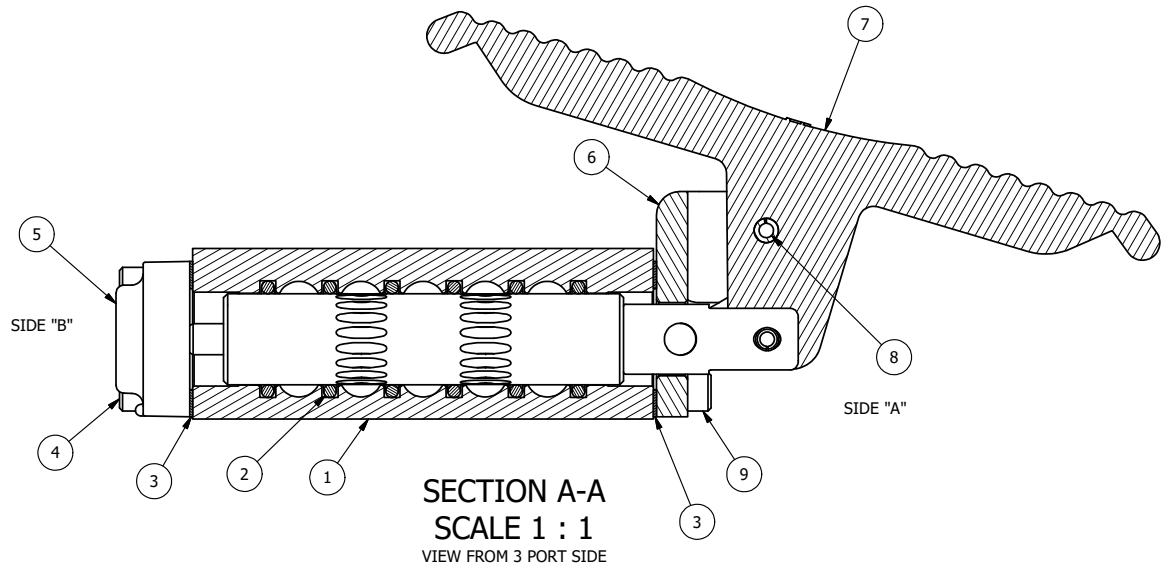


POSITION GASKET ON END OF VALVE SO
MOUNTING HOLES ALIGN,
BOTH ENDS (SIDE 'A' SHOWN)

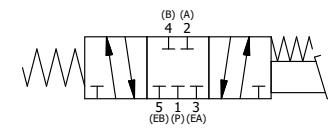
MARK VALVE USING 1/8" LETTERS
WHERE XX IS THE DATE CODE

NOTES:
1) ALWAYS GIVE VALVE MODEL, AND PART NUMBER WHEN ORDERING PARTS.



FLG	QTY	PART NO	DESCRIPTION
9	4	V-162-SS	SCREW, 10-24 X 5/8, SOCKET HEAD CAP, STAINLESS STEEL
8	1	V-508-SS	PIN, ROLL 3/16 X 5/8", 18-8 SS
7	1	FT3-SS	TREADLE - FOOT, 303 STAINLESS, 1/4" & 3/8" VALVE
6	1	FE3-ILO	END CAP - FOOT PEDAL, LOCKOUT, 303 STAINLESS, 1/4" & 3/8" VALVE
5	1	AY-HY3LOB-SA	ASSY - SPR CTR, CLSD CTR SPL, LEVER/TREADLE, SS, W/AL SPL, LO 'B', 1/4 & 3/8 VALVES
4	4	V-38-SS	SCREW, 10-24 X 3/4, SOCKET HEAD CAP, 18-8 SS
3	2	ECG3	GASKET - END CAP, 1/4" & 3/8" VALVE
2	6	V-39	O-RING, VITON, STD BODY, 1/4" & 3/8" VALVES
1	1	ZB3-2	BODY - BRASS, NO PILOTS, 3/8" SIDE PORT VALVE

LIMITS ON DIMENSIONS UNLESS OTHERWISE SPECIFIED		2-PL DECIMAL ± .01 3-PL DECIMAL ± .005 FRACTIONAL ± 1/64 ANGULAR ± 1/2°		AAA PRODUCTS INTERNATIONAL 7114 Harry Hines Blvd Dallas, TX 75235
DRAWN: RMckenna	DATE: 5/3/2015	CHECKED: KWaitte	DATE: 5/14/2015	
SCALE: 1 : 1	SHEET: 1 OF 1	RELEASED: HWomack	DATE: 5/14/2015	
TITLE: 3/8" SIDE PORT, TREADLE, 3 POS, SPR CTR, TREADLE SHFT, CLSD CTR SPL, BRASS & SS, LOCKOUT B			PART NO.: ZTY3LO	REV.:



THE INFORMATION CONTAINED WITHIN THIS DOCUMENT IS PROPRIETARY TO AAA PRODUCTS AND MAY NOT BE DISCLOSED WITHOUT PRIOR WRITTEN CONSENT

P:\Engineering\product\Valve Assembly\pedal\TY3\GVT3LO.dwg