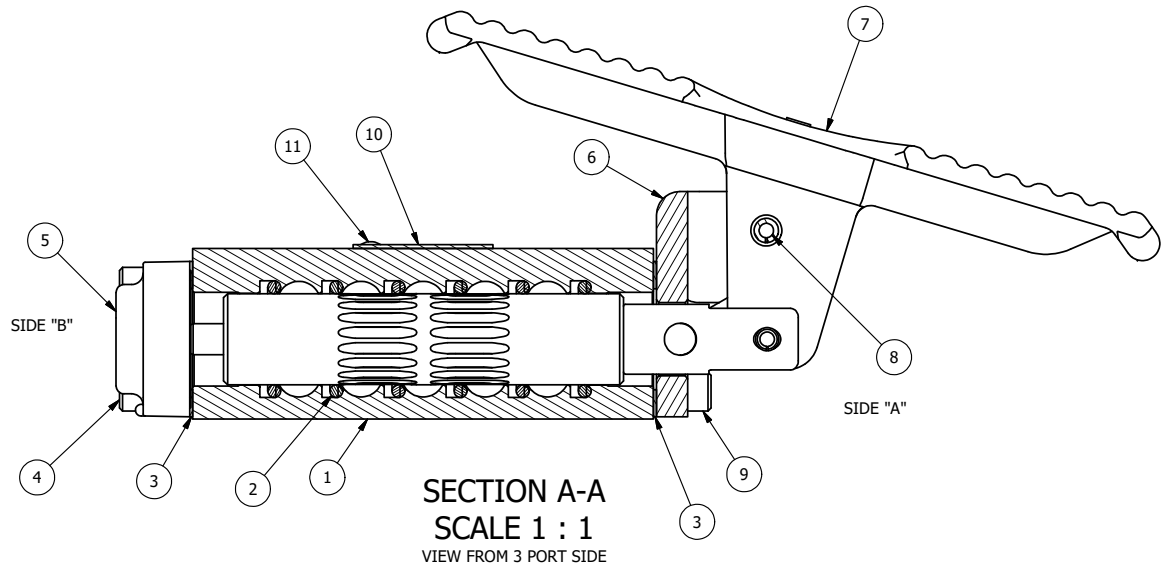


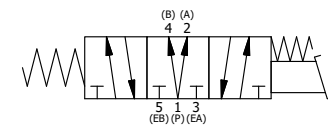
POSITION GASKET ON END OF VALVE SO MOUNTING HOLES ALIGN, BOTH ENDS (SIDE 'A' SHOWN)

NOTES:  
1) ALWAYS GIVE VALVE MODEL, AND PART NUMBER WHEN ORDERING PARTS.



| FLG | QTY | PART NO    | DESCRIPTION   |
|-----|-----|------------|---|
| 11  | 2   | V-212      | SCREW, #2 X 3/16 DRIVE, TYPE U, OVAL HEAD, STAINLESS STEEL                      |
| 10  | 1   | AN-114     | NAMEPLATE, BLANK, FOR VALVES WITH SPRINGS OR DETENTS                            |
| 9   | 4   | V-162      | SCREW, 10-24 X 5/8, SOCKET HEAD CAP   |
| 8   | 1   | V-508      | PIN, ROLL 3/16 X 5/8 ZINC PLATED STEEL FOR 1/4 FOOT ENDCAP                      |
| 7   | 1   | FT3        | TREADLE, FOOT, IRON, NICKEL PLT, 1/4" & 3/8" VALVE                              |
| 6   | 1   | FE3-1LO    | END CAP - FOOT PEDAL, LOCKOUT, 303 STAINLESS, 1/4" & 3/8" VALVE                 |
| 5   | 1   | AY-HY3DLOB | ASSY - SPR CTR, REGEN CTR SPL, LEVER OR TREADLE, LOCKOUT 'B' 1/4" & 3/8" VALVES |
| 4   | 4   | V-38       | SCREW, 10-24 X 3/4, SOCKET HEAD CAP   |
| 3   | 2   | ECG3       | GASKET - END CAP, 1/4" & 3/8" VALVE   |
| 2   | 6   | V-39       | O-RING, VITON, STD BODY, 1/4" & 3/8" VALVES                                     |
| 1   | 1   | B3-2E      | BODY - SOLID, PLAIN, NO PILOTS, ANODIZED, 3/8" SIDE PORT VALVE                  |

|  |                |  |                 |  |
|--|----------------|--|-----------------|--|
| LIMITS ON DIMENSIONS<br>UNLESS OTHERWISE SPECIFIED   |                | 2-PL DECIMAL ± .01<br>3-PL DECIMAL ± .005<br>FRACTIONAL ± 1/64<br>ANGULAR ± 1/2° |                 | <b>AAA PRODUCTS INTERNATIONAL</b><br>7114 Harry Hines Blvd<br>Dallas, TX 75235 |
| DRAWN: RMckenna  | DATE: 5/3/2015 | CHECKED: KWaite  | DATE: 5/14/2015 |  |
| SCALE: 1 : 1   | SHEET: 1 OF 1  | RELEASED: HWomack  | DATE: 5/14/2015 | PART NO.: TY3DLO   |
| TITLE:<br><b>3/8" SIDE PORT, TREADLE, 3 POS,<br/>         SPR CTR, TREADLE SHFT,<br/>         REGEN CTR SPL, LOCKOUT POS B</b> |                |  |                 | REV.:  |



THE INFORMATION CONTAINED WITHIN THIS DOCUMENT IS PROPRIETARY TO AAA PRODUCTS AND MAY NOT BE DISCLOSED WITHOUT PRIOR WRITTEN CONSENT

P:\Engineering\product\Valve Assembly\pedal\TY3DLO.DWG