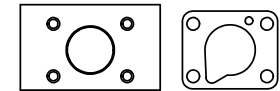


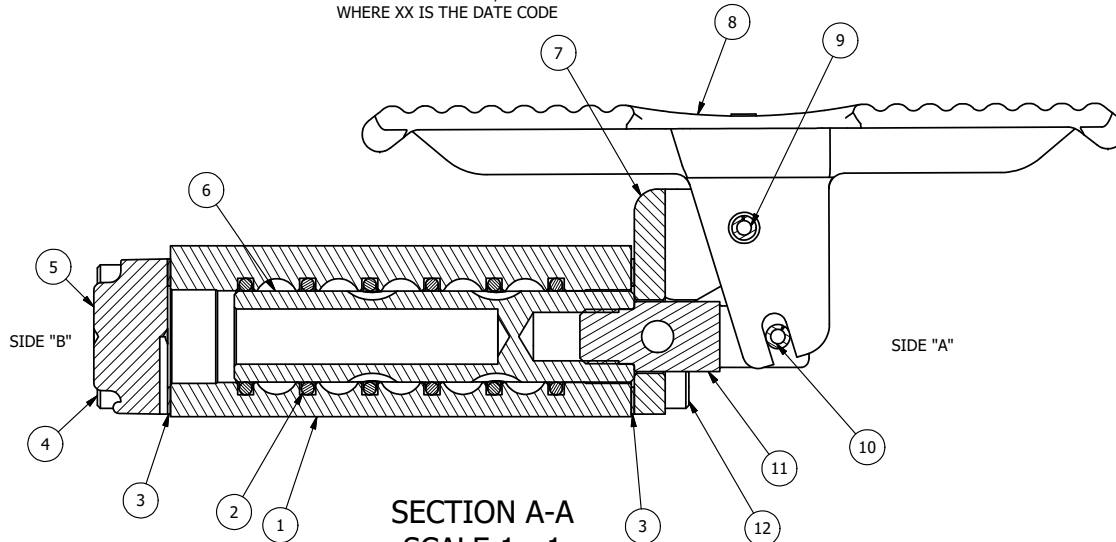
AAA PRODUCTS INT'L
ZTE2LO
XX
WWW.AAAPRODUCTS.COM

AAA

MARK VALVE USING 1/8" LETTERS
WHERE XX IS THE DATE CODE



POSITION GASKET ON END OF VALVE SO
MOUNTING HOLES ALIGN,
BOTH ENDS (SIDE 'A' SHOWN)

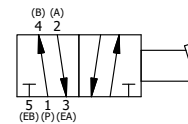


SECTION A-A
SCALE 1 : 1
VIEW FROM 3 PORT SIDE

NOTES:
1) ALWAYS GIVE VALVE MODEL, AND PART NUMBER WHEN ORDERING PARTS.

FLG	QTY	PART NO	DESCRIPTION
12	4	V-162-SS	SCREW, 10-24 X 5/8, SOCKET HEAD CAP, STAINLESS STEEL
11	1	HC3-1LOC	CLEVIS - POS. C LOCKOUT, STAINLESS, 1/4" & 3/8" VALVE
10	1	V-48-SS	PIN, ROLL 3/16 X 9/16 18-8 STAINLESS
9	1	V-508-SS	PIN, ROLL 3/16 X 5/8", 18-8 SS
8	1	FT3-SS	TREADLE - FOOT, 303 STAINLESS, 1/4" & 3/8" VALVE
7	1	FE3-1LO	END CAP - FOOT PEDAL, LOCKOUT, 303 STAINLESS, 1/4" & 3/8" VALVE
6	1	S3	SPOOL - STANDARD, 2 POS, CLSD CTR, 1/4" & 3/8" VALVE
5	1	SEC3-3	END CAP, VENTED, STAINLESS STEEL, 1/4" & 3/8" VALVES
4	4	V-38-SS	SCREW, 10-24 X 3/4, SOCKET HEAD CAP, 18-8 SS
3	2	ECG3	GASKET - END CAP, 1/4" & 3/8" VALVE
2	6	V-39	O-RING, VITON, STD BODY, 1/4" & 3/8" VALVES
1	1	ZB2-2	BODY - BRASS, NO PILOTS, 1/4" SIDE PORT VALVE

LIMITS ON DIMENSIONS UNLESS OTHERWISE SPECIFIED		2-PL DECIMAL ± .01 3-PL DECIMAL ± .005 FRACTIONAL ± 1/64 ANGULAR ± 1/2°		AAA PRODUCTS INTERNATIONAL 7114 Harry Hines Blvd Dallas, TX 75235	
DRAWN: RMckenna		DATE: 5/3/2015			CHECKED: KWaite DATE: 5/14/2015
SCALE: 1 : 1		SHEET: 1 OF 1		RELEASED: HWomack DATE: 5/14/2015	
TITLE: 1/4" SIDE PORT, TREADLE, 2 POS, FRICTION POS, TREADLE RTRN, BRASS & STAINLESS, LOCKOUT C				PART NO.: ZTE2LO	REV.:



THE INFORMATION CONTAINED WITHIN THIS DOCUMENT IS PROPRIETARY TO AAA PRODUCTS AND MAY NOT BE DISCLOSED WITHOUT PRIOR WRITTEN CONSENT