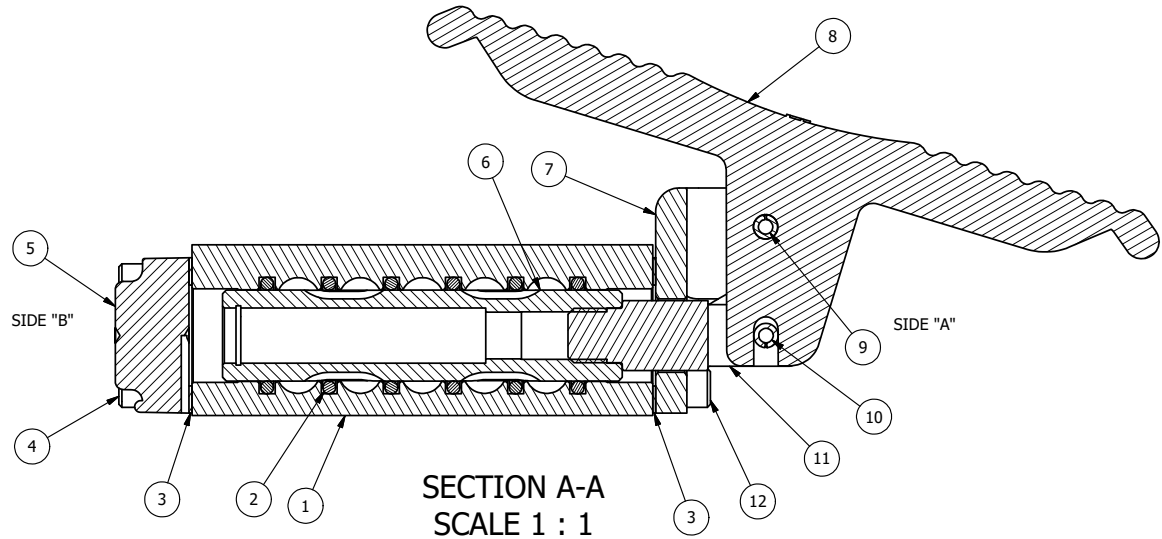


POSITION GASKET ON END OF VALVE SO MOUNTING HOLES ALIGN, BOTH ENDS (SIDE 'A' SHOWN)

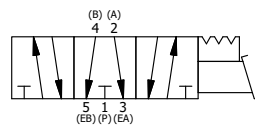
MARK VALVE USING 1/8" LETTERS WHERE XX IS THE DATE CODE



SECTION A-A
SCALE 1 : 1
VIEW FROM 3 PORT SIDE

- NOTES:
 1) ALWAYS GIVE VALVE MODEL, AND PART NUMBER WHEN ORDERING PARTS.
 2) LUBRICATE DETENT BALL, SPRING AND CLEVIS.

FLG	QTY	PART NO	DESCRIPTION
15	1	V-21-SS	SCREW, 1/4-20 X 3/16, SOCKET SET, CUP POINT, 18-8 SS
14	1	DS3-1	SPRING, DETENT, STAINLESS, 1/4" & 3/8" VALVE. LEE SPRING # LC 029B 0 S.
13	1	V-14-SS	BALL, 440C STAINLESS STEEL, 3/16 DIA. FOR DETENT
12	4	V-162-SS	SCREW, 10-24 X 5/8, SOCKET HEAD CAP, STAINLESS STEEL
11	1	HC3-3	CLEVIS - 3 POS. DETENT, STAINLESS, 1/4" & 3/8" VALVE
10	1	V-48-SS	PIN, ROLL 3/16 X 9/16 18-8 STAINLESS
9	1	V-508-SS	PIN, ROLL 3/16 X 5/8", 18-8 SS
8	1	FT3-SS	TREADLE - FOOT, 303 STAINLESS, 1/4" & 3/8" VALVE
7	1	FE3-3	END CAP, FOOT PEDAL, DETENT, 303 STAINLESS, 1/4" & 3/8" VALVE
6	1	SSH3G	SPOOL - 'G', 3 POS, FLOAT CTR, 1/4" & 3/8" VALVE
5	1	SEC3-3	END CAP, VENTED, STAINLESS STEEL, 1/4" & 3/8" VALVES
4	4	V-38-SS	SCREW, 10-24 X 3/4, SOCKET HEAD CAP, 18-8 SS
3	2	ECG3	GASKET - END CAP, 1/4" & 3/8" VALVE
2	6	V-39	O-RING, VITON, STD BODY, 1/4" & 3/8" VALVES
1	1	ZB3-2	BODY - BRASS, NO PILOTS, 3/8" SIDE PORT VALVE



LIMITS ON DIMENSIONS UNLESS OTHERWISE SPECIFIED		2-PL DECIMAL ± .01 3-PL DECIMAL ± .005 FRACTIONAL ± 1/64 ANGULAR ± 1/2°		AAA PRODUCTS INTERNATIONAL 7114 Harry Hines Blvd Dallas, TX 75235
DRAWN: RMckenna	DATE: 5/1/2015	CHECKED: KWaite	DATE: 5/14/2015	
SCALE: 1 : 1	SHEET: 1 OF 1	RELEASED: HWomack	DATE: 5/14/2015	
TITLE: 3/8" SIDE PORT, TREADLE, 3 POS, DETENT, TREADLE SHFT, FLOAT CTR SPL, BRASS & STAINLESS			PART NO.: ZTD3G	REV.:

THE INFORMATION CONTAINED WITHIN THIS DOCUMENT IS PROPRIETARY TO AAA PRODUCTS AND MAY NOT BE DISCLOSED WITHOUT PRIOR WRITTEN CONSENT

D:\Engineering\product\Valves\Assemblies\Asmbly\11529\GZ\1D36.dwg