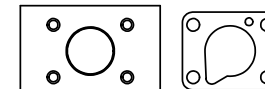
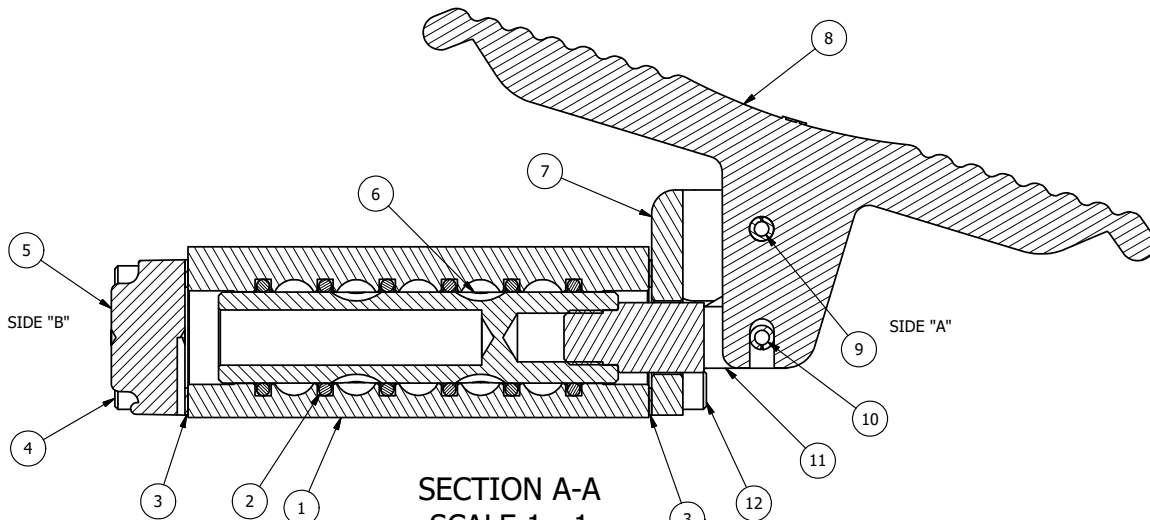


MARK VALVE USING 1/8" LETTERS WHERE XX IS THE DATE CODE



POSITION GASKET ON END OF VALVE SO MOUNTING HOLES ALIGN, BOTH ENDS (SIDE 'A' SHOWN)

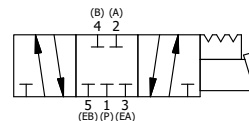


SECTION A-A  
SCALE 1 : 1  
VIEW FROM 3 PORT SIDE

NOTES:

- 1) ALWAYS GIVE VALVE MODEL, AND PART NUMBER WHEN ORDERING PARTS.
- 2) LUBRICATE DETENT BALL, SPRING AND CLEVIS.

| FLG | QTY | PART NO  | DESCRIPTION   |
|-----|-----|----------|---|
| 15  | 1   | V-21-SS  | SCREW, 1/4-20 X 3/16, SOCKET SET, CUP POINT, 18-8 SS                    |
| 14  | 1   | DS3-1    | SPRING, DETENT, STAINLESS, 1/4" & 3/8" VALVE. LEE SPRING # LC 029B 0 S. |
| 13  | 1   | V-14-SS  | BALL, 440C STAINLESS STEEL, 3/16 DIA. FOR DETENT                        |
| 12  | 4   | V-162-SS | SCREW, 10-24 X 5/8, SOCKET HEAD CAP, STAINLESS STEEL                    |
| 11  | 1   | HC3-3    | CLEVIS - 3 POS. DETENT, STAINLESS, 1/4" & 3/8" VALVE                    |
| 10  | 1   | V-48-SS  | PIN, ROLL 3/16 X 9/16 18-8 STAINLESS                                    |
| 9   | 1   | V-508-SS | PIN, ROLL 3/16 X 5/8", 18-8 SS  |
| 8   | 1   | FT3-SS   | TREADLE - FOOT, 303 STAINLESS, 1/4" & 3/8" VALVE                        |
| 7   | 1   | FE3-3    | END CAP, FOOT PEDAL, DETENT, 303 STAINLESS, 1/4" & 3/8" VALVE           |
| 6   | 1   | S3       | SPOOL - STANDARD, 2 POS, CLSD CTR, 1/4" & 3/8" VALVE                    |
| 5   | 1   | SEC3-3   | END CAP, VENTED, STAINLESS STEEL, 1/4" & 3/8" VALVES                    |
| 4   | 4   | V-38-SS  | SCREW, 10-24 X 3/4, SOCKET HEAD CAP, 18-8 SS                            |
| 3   | 2   | ECG3     | GASKET - END CAP, 1/4" & 3/8" VALVE                                     |
| 2   | 6   | V-39     | O-RING, VITON, STD BODY, 1/4" & 3/8" VALVES                             |
| 1   | 1   | ZB3-2    | BODY - BRASS, NO PILOTS, 3/8" SIDE PORT VALVE                           |



|  |                  |  |                          |  |
|--|------------------|--|--------------------------|--|
| LIMITS ON DIMENSIONS<br>UNLESS OTHERWISE SPECIFIED   |                  | 2-PL DECIMAL ± .01<br>3-PL DECIMAL ± .005<br>FRACTIONAL ± 1/64<br>ANGULAR ± 1/2° |                          | <b>AAA PRODUCTS INTERNATIONAL</b><br>7114 Harry Hines Blvd<br>Dallas, TX 75235 |
| DRAWN: RMckenna  | DATE: 11/15/2014 | CHECKED: KWaite  | DATE: 5/14/2015          |  |
| SCALE: 1 : 1   | SHEET: 1 OF 1    | RELEASED: HWomack  | DATE: 5/14/2015          |  |
| TITLE:<br><b>3/8" SIDE PORT, TREADLE, 3 POS, DETENT, TREADLE SHFT, CLSD CTR SPL, BRASS &amp; STAINLESS</b> |                  |  | PART NO.:<br><b>ZTD3</b> | REV.:  |

THE INFORMATION CONTAINED WITHIN THIS DOCUMENT IS PROPRIETARY TO AAA PRODUCTS AND MAY NOT BE DISCLOSED WITHOUT PRIOR WRITTEN CONSENT